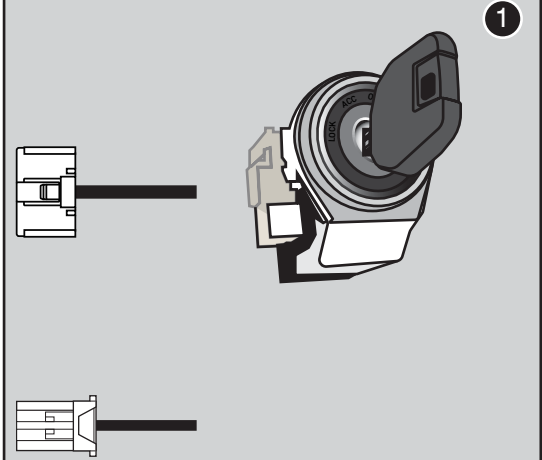
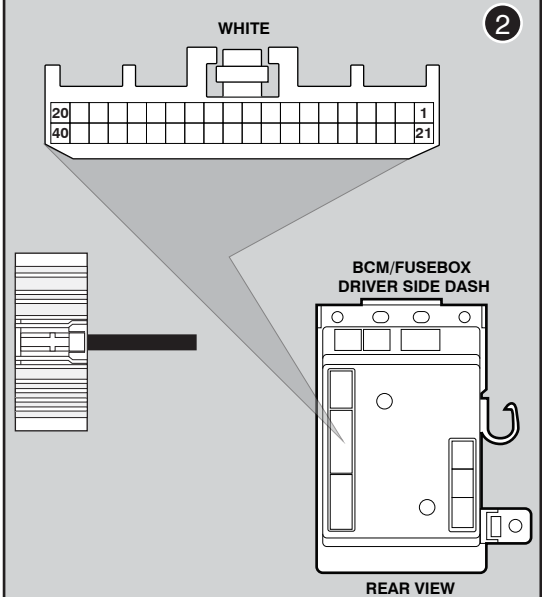


Ignition Switch Assembly



BCM/Fuse Box

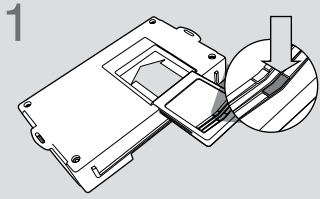


LED Programming Error Codes

Module LED flashing RED during programming

- 1x RED = Unable to communicate with RFID or immobilizer data.
- 2x RED = No CAN activity. Check the CAN wire connections.
- 3x RED = No ignition detected. Check the ignition wire connection and CAN.
- 4x RED = Required ignition output diode not detected.

CARTRIDGE INSTALLATION



1 Slide cartridge into unit. Notice button under LED.

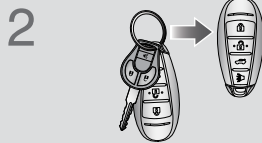
2

Ready for Module Programming Procedure.

MODULE PROGRAMMING PROCEDURE



1 For this installation, the Weblink HUB is required.



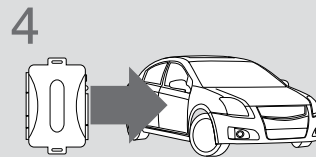
2 Remove OEM key 1 from keychain.



Place all other keyfobs at least 1 foot away from the Weblink HUB. Failure to comply may result in damage to other keyfobs or interfere with the keyfob reading process.



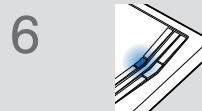
3 Flash the module using the Weblink HUB. Follow the on screen instructions to complete the keyfob reading process.



4 **WARNING:**
Do not press the module programming button. Connect power first. Connect module to vehicle.



5 Using OEM key 1, turn key to ON position.



6 Wait, LED will turn solid BLUE for 2 seconds



7 Turn key to OFF position.

8

Module Programming Procedure completed.