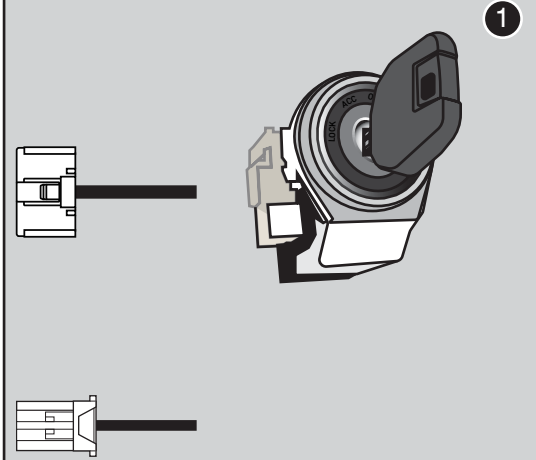
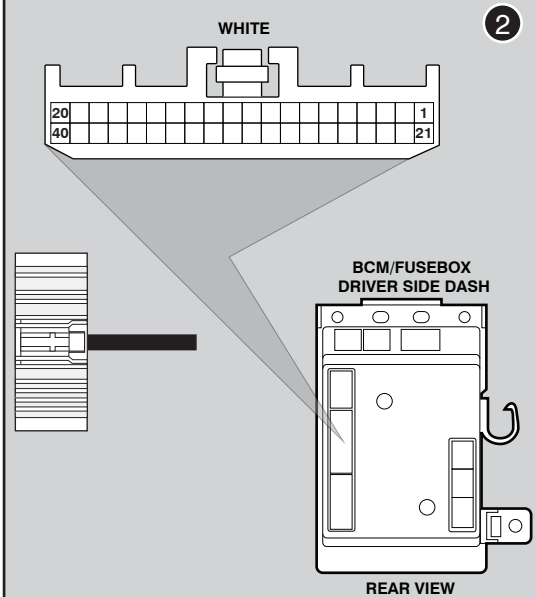


Ignition Switch Assembly



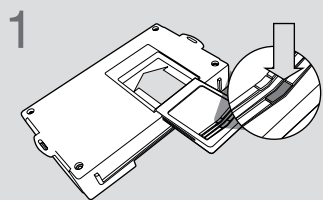
BCM/Fuse Box



Códigos de error de programación de LED

- El LED del módulo parpadea en ROJO durante la programación
- 1x ROJO = No se puede comunicar con RFID o datos del inmovilizador.
 - 2x ROJO = Sin actividad CAN. Compruebe las conexiones de los cables CAN.
 - 3x ROJO = No se detectó ignición. Verifique la conexión del cable de encendido y CAN.
 - 4x ROJO = Diodo de salida de encendido requerido no detectado.

CARTRIDGE INSTALLATION



1 Slide cartridge into unit. Notice button under LED.

2

Ready for Module Programming Procedure.

MODULE PROGRAMMING PROCEDURE



1 For this installation, the Weblink HUB is required.

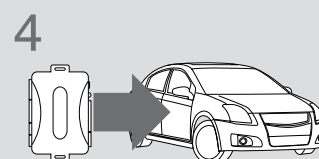


2 Remove OEM key 1 from keychain.

! Place all other keyfobs at least 1 foot away from the Weblink HUB. Failure to comply may result in damage to other keyfobs or interfere with the keyfob reading process.



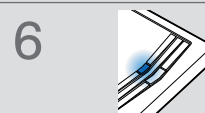
3 Flash the module using the Weblink HUB. Follow the on screen instructions to complete the keyfob reading process.



4 **WARNING:**
Do not press the module programming button.
Connect power first.
Connect module to vehicle.



5 Using OEM key 1, turn key to ON position.



6 Wait, LED will turn solid BLUE for 2 seconds .



7 Turn key to OFF position.

8 Module Programming Procedure completed.