

Overview: The initial production release of the FTI-TLK1 harness has an issue where in some vehicles the secondary power input to the CN1 connector will overload the associated vehicle circuit, causing a fuse to blow. This issue affects the initial release of harnesses and is already being addressed in production. A field correction procedure is detailed below in Figure 1.

Issue: The secondary power circuit can overload some vehicle ignition switch circuits, causing a blown 5A/7.5A AM1 fuse, potentially disabling the vehicle and leaving the consumer stranded. Affected adapters are illustrated below in figure 2.

Corrective steps:

- 1.) Select the applicable CN1 adapter, isolate the RED/WHITE power wire, cut wire approximately 4" from the BLACK plug
- 2.) Insulate the wire still connected to the WHITE plug using heat shrink tubing, and strip the insulation on the other wire end
- 3.) Strip a portion of the insulation from the RED wire, attach the stripped RED/WHITE to the exposed RED wire, solder together
- 4.) Apply insulating tape to the soldered connection and secure the cut ends back to the bundle of wires created by the adapter
- 5.) Correction complete, you may safely proceed to finish your installation

Figure 1: Step by step adapter correction

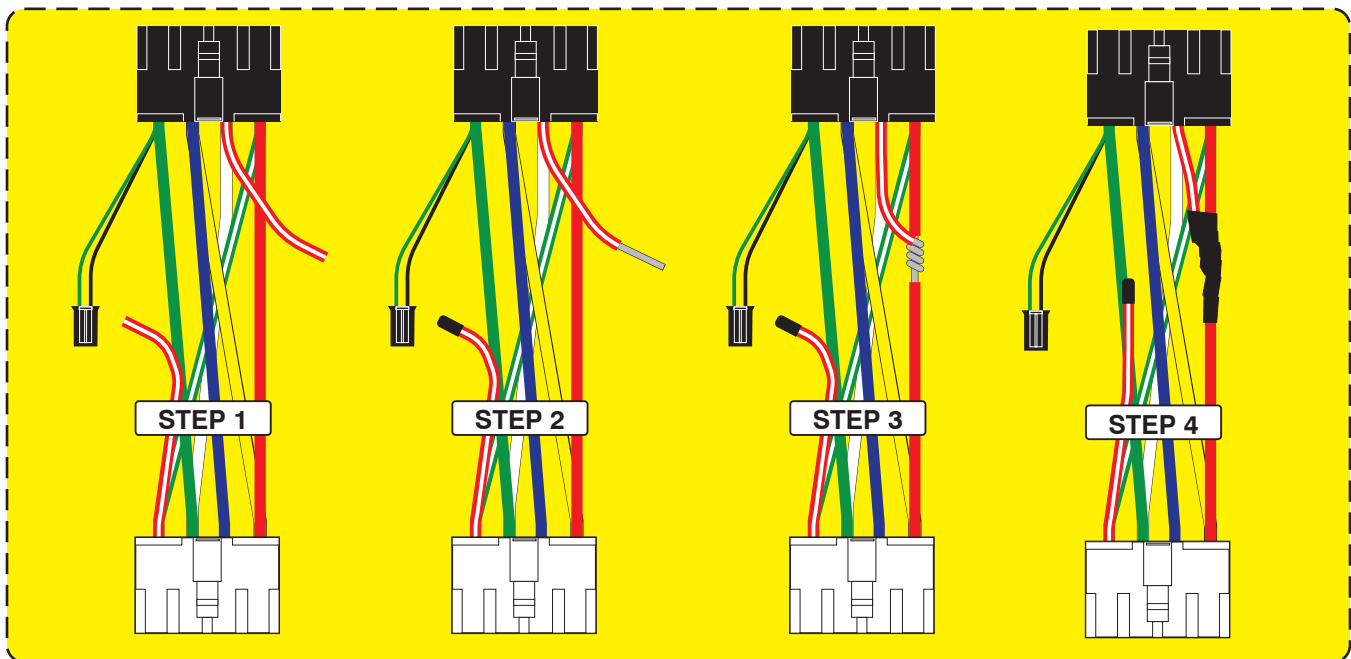
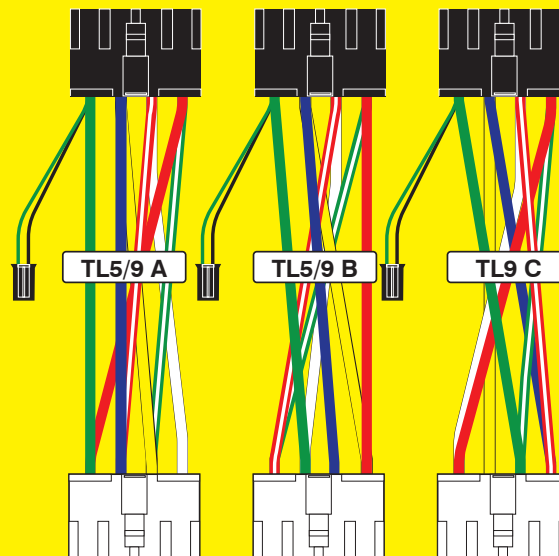


Figure 2: Supplied CN1 Harness Adapters

Incorrect power provisions with the potential to overload vehicle ignition supply circuit, resulting in blown AM1 fuse.



FTI-TLK1 Type 3C1 - Vehicle Coverage & Preparation Notes

RSTECH, L.L.C.
SUPPORT - 1 (888) 820-3690, EXT. 203

Make	Model	Year	Install	CAN	Lights	SIL	Trunk	I/O Changes
DL-TL9					Park / Auto			Green White/Blue
Scion	iM 80 bit H Key	2016	Type 3/C	OBD-II	A / A	FBX/28		
Toyota	Corolla 80 bit H Key	2014-16	Type 3/C	OBD-II	A / A	FBX/28		
Toyota	RAV4 80 bit H Key	2013-15	Type 3/C	OBD-II	A / A	PKP/13	SW/4	

Hey! Read this stuff before you start the installation...

Firmware: Covered vehicles use **BLADE-AL(DL)-TL9**, flash module and update the controller firmware before installing.

Install: Type 3C vehicles use the **TL 5/9 C CN1 adapter**, *using any other adapters will result in malfunction and damage.*

CAN: Covered vehicles require the CAN source connection to the OBD source connector, the BCM source is not used.

Lights: Type A parking lights require a connection between the **green/white** wires in the **park/auto** and **BECU** harnesses. Type A auto lights require cutting the violet **AUTO LT. A** loop on the BECU harness, connecting the loop ends to the **white/red** & **white/black** wires in the park/auto harness.

Locks: Lock control requires a connection between the harness **RDA** and **RDA 1** wires, secure the unused **RDA 2** & **RDA 3** connections for safety.

TPMS: OEM RS control (3X Lock Start) feature requires interrupting the listed TPMS ignition circuits located in the driver kick panel 20-pin connector. In the Sequoia, the wire is **lt. blue**, pin #8, in the black connector, in the Tundra the wire is **pink**, pin #13, in the white connector. Connect as illustrated.

•FT-DAS Required for manual transmission.
•BOTH Red & Red/White MUST be connected with high current application.

Jumper Setting

Parking Light	<input type="checkbox"/>	<input type="checkbox"/>	<input type="checkbox"/>	<input type="checkbox"/>	(+)Door Trigger In
Accessory	<input type="checkbox"/>	<input type="checkbox"/>	<input type="checkbox"/>	<input type="checkbox"/>	(-)Door Trigger In (Default)
Ignition (Default)	<input type="checkbox"/>	<input type="checkbox"/>	<input type="checkbox"/>	<input type="checkbox"/>	
Trunk	<input type="checkbox"/>	<input type="checkbox"/>	<input type="checkbox"/>	<input type="checkbox"/>	Starter
Starter	<input type="checkbox"/>	<input type="checkbox"/>	<input type="checkbox"/>	<input type="checkbox"/>	Ignition
Parking Light (Default)	<input type="checkbox"/>	<input type="checkbox"/>	<input type="checkbox"/>	<input type="checkbox"/>	Accessory (Default)

CM7000/7200 Cut loop for A/T

CM-900S/900AS

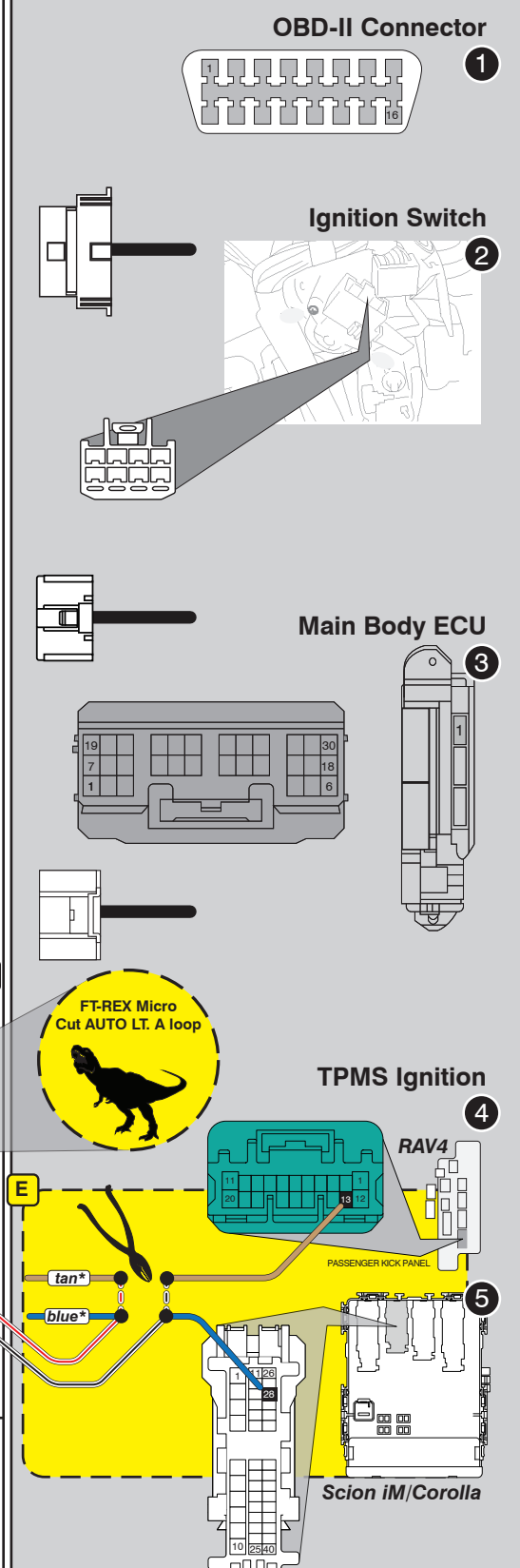
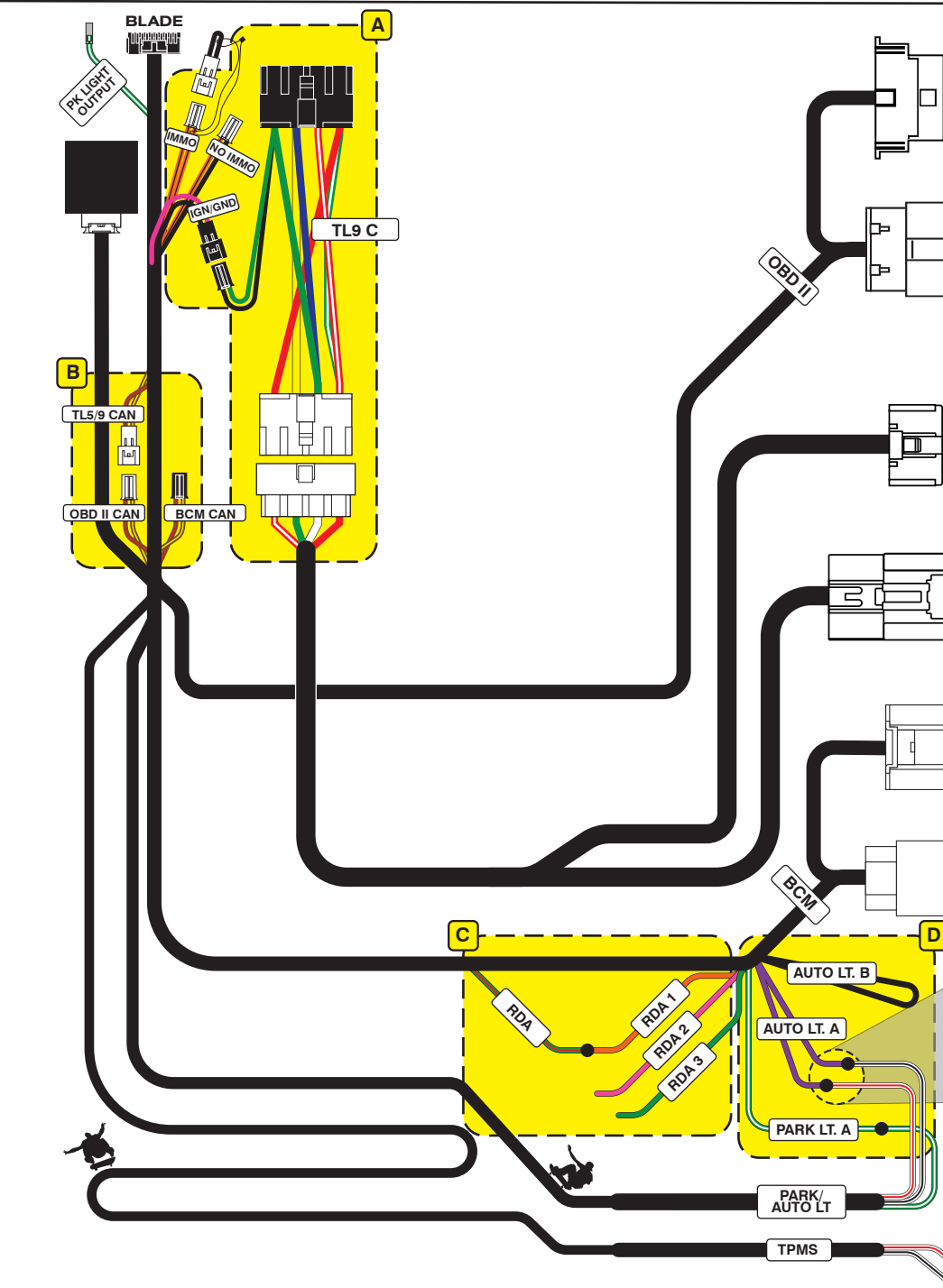
CM900AS/900S Jumper

START
ACC
IGN1



FTI-TLK1 Type 3C1 - Installation Notes & Wiring Diagram

- A** TL 5/9 C CN1 adapter required for use in the vehicles listed on the coverage page, using any other adapter included in the kit will result in malfunction and possible damage.
- B** Type 3C1 installs require CAN jumper to be connected to the OBD-II source connector. Secure unused BCM connector for safety.
- C** Door lock control for this install requires connecting provided RDA wire to RDA 1 connection, secure unused RDA 2 & RDA 3 connections for safety.
- D** Type A parking lights, connect harness green/white (park/auto harness) to the green/white (BECU harness), if equipped with auto-lights, cut AUTO LT. A loop and connect as illustrated.
- E** 3X Lock start feature requires an interrupt of the TPMS ignition circuit, RAV4 wire is tan, pin #13, in the passenger kick, iM and Corolla the wire is blue, pin #28, in the 40-pin fuse box connector.



* CONNECTION REQUIRED ONLY IF 3X LOCK CONTROL IS DESIRED AND VEHICLE IS EQUIPPED WITH TIRE PRESSURE MONITORING SYSTEM (TPMS).

Module Programming Procedure

- Step 1 - Insert key into cylinder (Black key only, not gray)
- Step 2 - Activate ignition, LED will go solid red
- Step 3 - Wait for LED to go solid blue
- Step 4 - Deactivate ignition
- Step 5 - Programming complete

LED Programming Error Codes

- Module LED flashing RED during programming
- 1x - Can error, confirm connections
 - 2x - No IGN, check connections & adapter
 - 3x - No IMMO, confirm connections and equipment level
 - 4x - VIN error, contact engineering

FTI-TLK1 Type 3C1

SUPPORT - 1(888) 820-3690, EXT. 203