

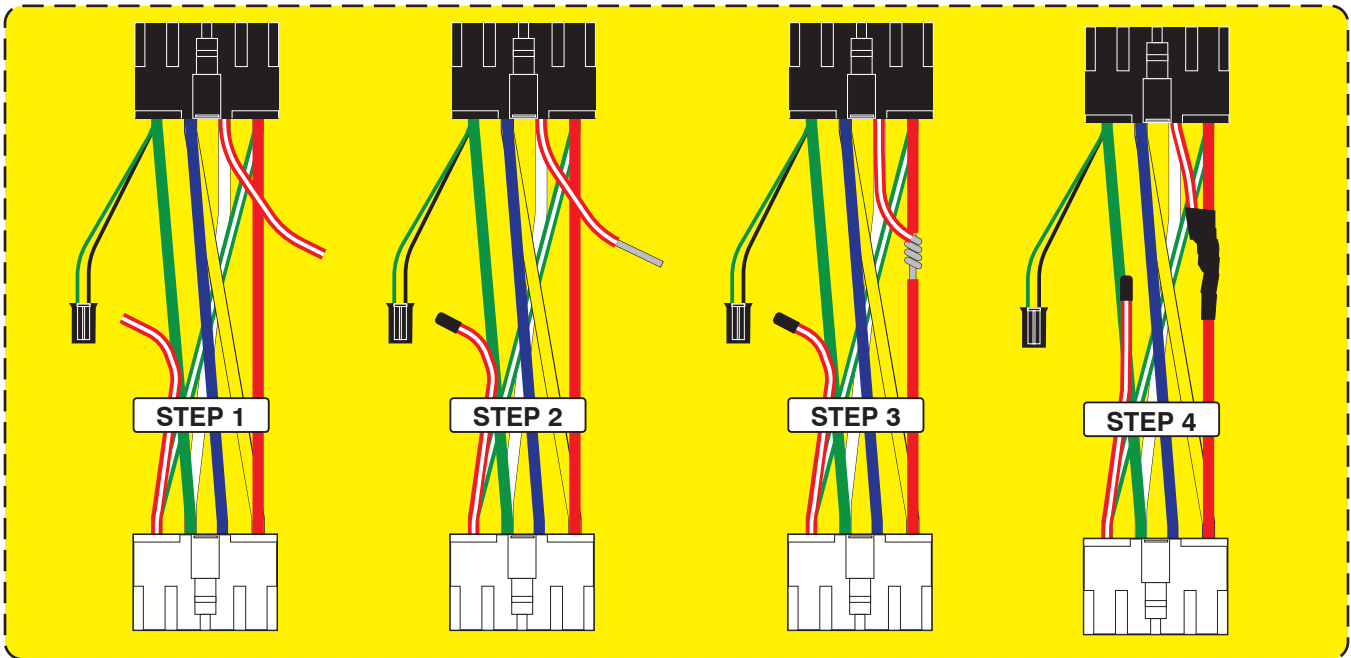
**Overview:** The initial production release of the FTI-TLK1 harness has an issue where in some vehicles the secondary power input to the CN1 connector will overload the associated vehicle circuit, causing a fuse to blow. This issue affects the initial release of harnesses and is already being addressed in production. A field correction procedure is detailed below in Figure 1.

**Issue:** The secondary power circuit can overload some vehicle ignition switch circuits, causing a blown 5A/7.5A AM1 fuse, potentially disabling the vehicle and leaving the consumer stranded. Affected adapters are illustrated below in figure 2.

**Corrective steps:**

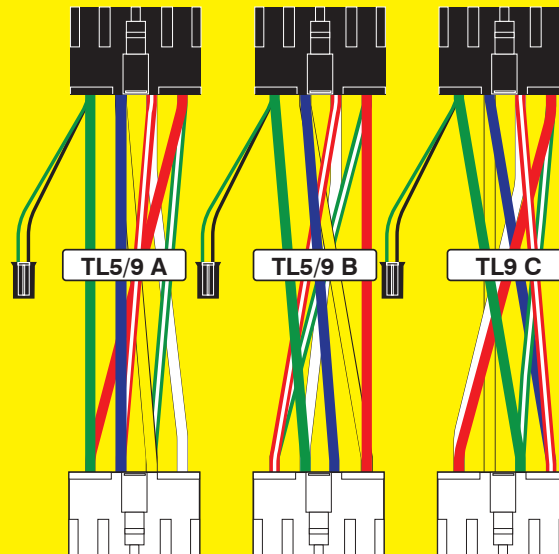
- 1.) Select the applicable CN1 adapter, isolate the RED/WHITE power wire, cut wire approximately 4" from the BLACK plug
- 2.) Insulate the wire still connected to the WHITE plug using heat shrink tubing, and strip the insulation on the other wire end
- 3.) Strip a portion of the insulation from the RED wire, attach the stripped RED/WHITE to the exposed RED wire, solder together
- 4.) Apply insulating tape to the soldered connection and secure the cut ends back to the bundle of wires created by the adapter
- 5.) Correction complete, you may safely proceed to finish your installation

**Figure 1: Step by step adapter correction**



**Figure 2: Supplied CN1 Harness Adapters**

Incorrect power provisions with the potential to overload vehicle ignition supply circuit, resulting in blown AM1 fuse.



# FTI-TLK1 Type 3B1 - Vehicle Coverage & Preparation Notes

Make	Model	Year	Install	CAN	Lights	TPMS	Trunk	I/O Changes
<b>DL-TL9</b>					<b>Park / Auto</b>			<b>Green White/Blue</b>
Toyota	Camry 80 bit H Key	2015-17	Type 3/B	OBD-II	A / A	PKP/3		START 2/None
Toyota	Prius C 80 bit H Key	2015-16	Type 3/B	OBD-II	A / A	BCM/32		START 2/None
Toyota	Yaris 80 bit H Key	2015-16	Type 3/B	OBD-II	A	BCM/32		START 2/None

**Hey! Read this stuff before you start the installation...**

**Firmware:** Covered vehicles use **BLADE-AL(DL)-TL9**, flash module and update the controller firmware before installing.

**Install:** Type 3B vehicles use the **TL 5/9 B CN1 adapter**, *using any other adapters will result in malfunction and damage.*

**CAN:** Covered vehicles require the CAN source connection to the OBD source connector, the BCM source is not used.

**Lights:** Type A parking lights require a connection between the **green/white** wires in the **park/auto** and **BECU** harnesses. Type A auto lights require cutting the violet **AUTO LT. A** loop on the BECU harness, connecting the loop ends to the **white/red & white/black** wires in the park/auto harness.

**Locks:** Lock control requires a connection between the harness **RDA** and **RDA 1** wires, secure the unused **RDA 2 & RDA 3** connections for safety.

**TPMS:** OEM RS control (3X Lock Start) feature requires interrupting the listed TPMS ignition circuits, located in the passenger kick panel in the Camry, and at the BECU for the Prius C and Yaris. Connect as illustrated.

**I/O Changes:** THE COVERED VEHICLES require changing the controller output from **Parking Light** to **START**, CM7x00 controllers move jumper 3 to STARTER position, CM900 controllers set feature option 1-6 to 2 because the harness uses the START2 circuit to activate the vehicle primary starter circuit. If issues arise disarming the OEM alarm during remote start, set option 1-01 to 2.

**Okay, now get to work...**

- FT-DAS Required for manual transmission.
- BOTH Red & Red/White MUST be connected with high current application.

Jumper Setting			
Parking Light	<input type="checkbox"/>	<input type="checkbox"/>	(+)Door Trigger In
Accessory	<input type="checkbox"/>	<input type="checkbox"/>	(-)Door Trigger In (Default)
Ignition (Default)	<input type="checkbox"/>	<input type="checkbox"/>	
Trunk	<input type="checkbox"/>	<input type="checkbox"/>	Starter
Starter	<input type="checkbox"/>	<input type="checkbox"/>	Ignition
Parking Light (Default)	<input type="checkbox"/>	<input type="checkbox"/>	Accessory (Default)

CM7000/7200

CM-900S/900AS

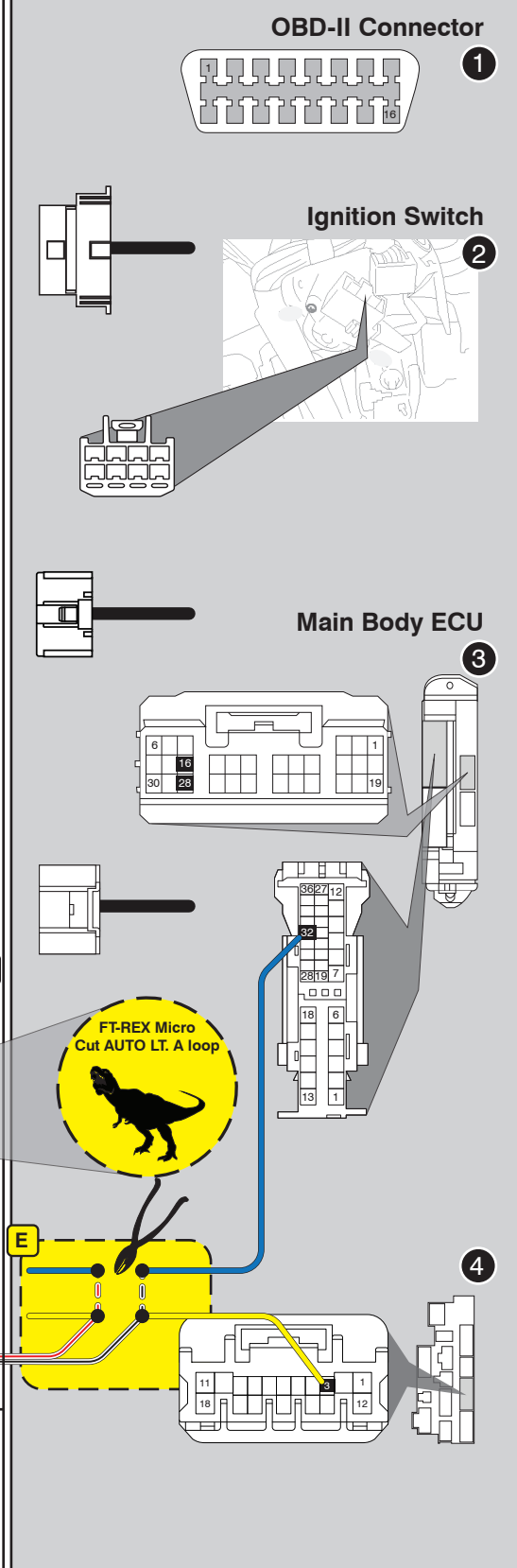
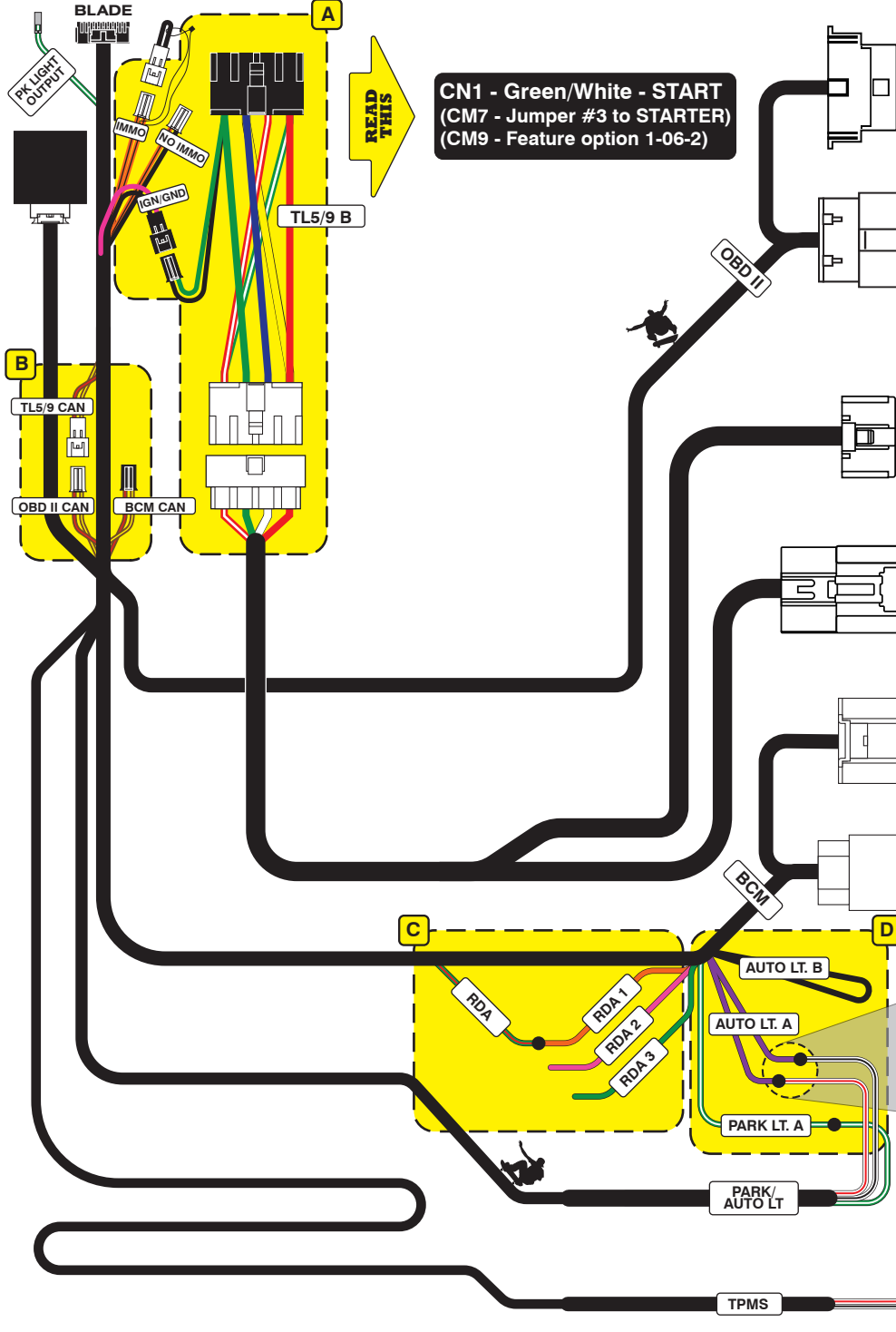
**CM900AS/900S Jumper**

START  
ACC  
IGN1



# FTI-TLK1 Type 3B1 - Installation Notes & Wiring Diagram

- A** Use TL 5/9 B CN1 adapter, any other adapter will result in malfunction and damage. Jumper connected to IMMO for equipped vehicles, if not equipped, connect to NO IMMO before programming. IGN/GND connection required.
- B** Type 3B1 installs require CAN jumper to be connected to the OBD source connector. Secure unused BCM connector for safety.
- C** Door lock control for this install requires connecting provided **RDA** wire to **RDA 1** connection, secure unused **RDA 2 & RDA 3** connections for safety.
- D** Type A parking lights, connect harness **green/white** (park/auto harness) to the **green/white** (BECU harness), if equipped with auto-lights, cut **AUTO LT. A** loop and connect as illustrated.
- E** 3X lock start requires an interrupt of the TPMS ignition circuit, Camry wire is **yellow** in the **white** 18-pin connector (passenger kick panel), Prius and Yaris wire is **blue**, in the **white** 36-pin connector (BECU).



## Module Programming Procedure

- Step 1 - Insert key into cylinder (Black key only, not gray)
- Step 2 - Activate ignition, LED will go solid red
- Step 3 - Wait for LED to go solid blue
- Step 4 - Deactivate ignition
- Step 5 - Programming complete

## LED Programming Error Codes

- Module LED flashing RED during programming
- 1x - Can error, confirm connections
  - 2x - No IGN, check connections & adapter
  - 3x - No IMMO, confirm connections and equipment level
  - 4x - VIN error, contact engineering

## FTI-TLK1 Type 3B1

SUPPORT - 1(888) 820-3690, EXT. 203