

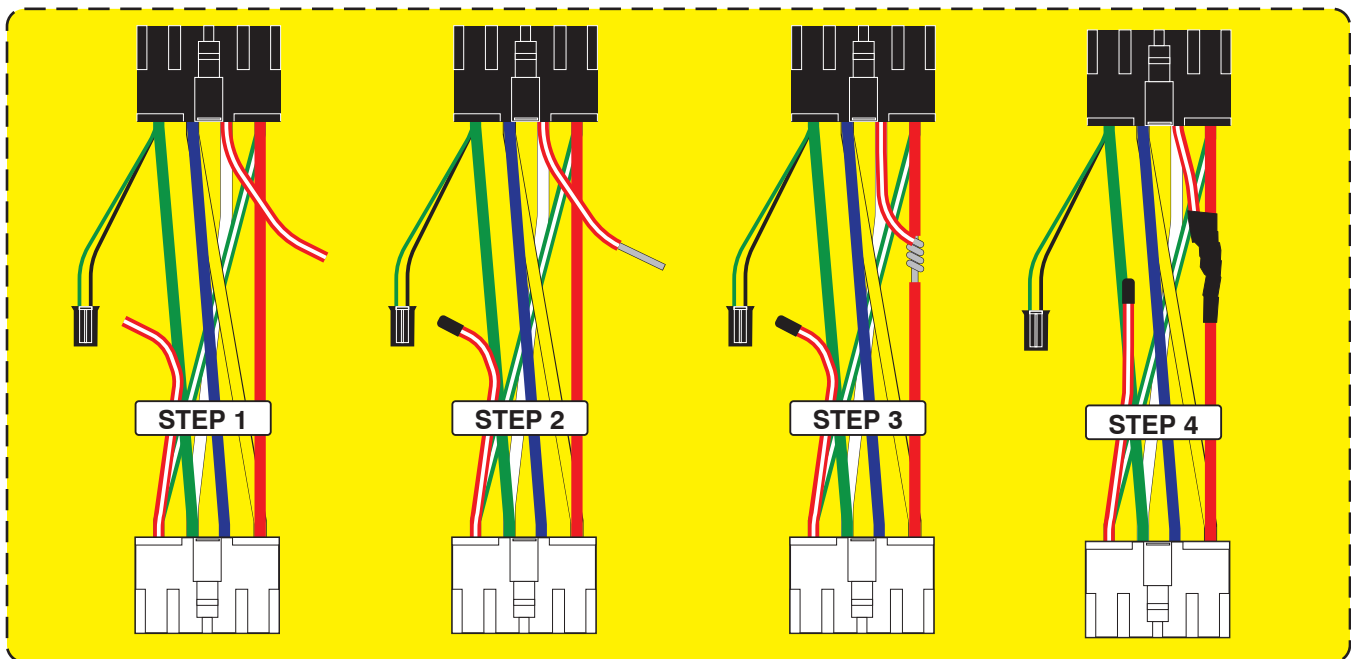
**Overview:** The initial production release of the FTI-TLK1 harness has an issue where in some vehicles the secondary power input to the CN1 connector will overload the associated vehicle circuit, causing a fuse to blow. This issue affects the initial release of harnesses and is already being addressed in production. A field correction procedure is detailed below in Figure 1.

**Issue:** The secondary power circuit can overload some vehicle ignition switch circuits, causing a blown 5A/7.5A AM1 fuse, potentially disabling the vehicle and leaving the consumer stranded. Affected adapters are illustrated below in figure 2.

**Corrective steps:**

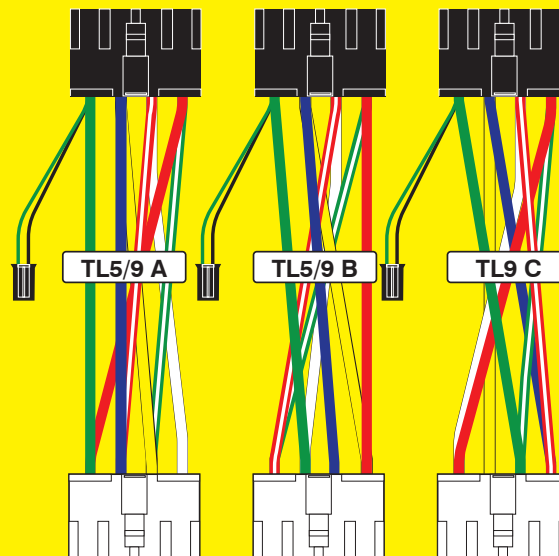
- 1.) Select the applicable CN1 adapter, isolate the RED/WHITE power wire, cut wire approximately 4" from the BLACK plug
- 2.) Insulate the wire still connected to the WHITE plug using heat shrink tubing, and strip the insulation on the other wire end
- 3.) Strip a portion of the insulation from the RED wire, attach the stripped RED/WHITE to the exposed RED wire, solder together
- 4.) Apply insulating tape to the soldered connection and secure the cut ends back to the bundle of wires created by the adapter
- 5.) Correction complete, you may safely proceed to finish your installation

**Figure 1: Step by step adapter correction**



**Figure 2: Supplied CN1 Harness Adapters**

**Incorrect power provisions with the potential to overload vehicle ignition supply circuit, resulting in blown AM1 fuse.**



# FTI-TLK1 Type 2B2 - Vehicle Coverage & Preparation Notes

Make	Model	Year	Install	CAN	Lights	SIL	Locks	I/O Changes
<b>DL-TL5</b>					<b>Park / Auto</b>			<b>Green White/Blue</b>
Scion	xD 80 bit STD Key	2011-14	Type 2/B	OBD-II	SW-13			START 2/None
Toyota	Camry 80 bit STD Key	2010-11	Type 2/B	OBD-II	SW-18/19			START 2/None
Toyota	Highlander Hybrid 80 bit STD Key	2012-13	Type 2/B	OBD-II	SW-18/19			START 2/None
Toyota	Highlander 80 bit STD Key	2011-13	Type 2/B	OBD-II	SW-18/19			START 2/None
Toyota	Sequoia 80 bit STD Key	2011-14	Type 2/B	OBD-II	SW-18/19	TPMS/10		START 2/None
Toyota	Tundra 80 bit STD Key	2011-17	Type 2/B	OBD-II	SW-18/19	TPMS/10		START 2/None
Toyota	Yaris Sedan 80 bit STD Key	2011-12	Type 2/B	OBD-II	SW-13			START 2/None

### Hey! Read this stuff before you start the installation...

Firmware: Covered vehicles use **BLADE-AL(DL)-TL5**, flash module and update the controller firmware before installing.

Install: Type 2B vehicles use the TL5/9 main harness and **TL 5/9 B CN1 adapter**, using any other adapters will result in malfunction or damage.

Lights: Type SW parking lights require connecting the **green/white** wire in the **park/auto** harnesses to pin #18 of the switch connector (pin #13 of the 13-pin connector for the Scion xD & Toyota Yaris Sedan), if equipped with auto-lights the **white/red & white/black** wires in the park/auto harness are used to interrupt the wire in pin #19 for light-off control. Make no RDA connections, insulate and secure all unused connections for safety.

I/O Changes: Listed vehicles require changing the controller output from **Parking Light** to **START**, CM7x00 controllers move jumper 3 to STARTER position, CM900 controllers set feature option 1-6 to 2. If issues arise disarming the OEM alarm during remote start, set option 1-01 to 2.

### Okay, now get to work...

•FT-DAS Required for manual transmission.  
•BOTH Red & Red/White MUST be connected with high current application.

**Jumper Setting**

Parking Light	<input type="checkbox"/>	<input type="checkbox"/>	<input type="checkbox"/>	<input type="checkbox"/>	(+)Door Trigger In
Accessory	<input type="checkbox"/>	<input type="checkbox"/>	<input type="checkbox"/>	<input type="checkbox"/>	(-)Door Trigger In (Default)
Ignition (Default)	<input type="checkbox"/>	<input type="checkbox"/>	<input type="checkbox"/>	<input type="checkbox"/>	
Trunk	<input type="checkbox"/>	<input type="checkbox"/>	<input type="checkbox"/>	<input type="checkbox"/>	Starter
Starter	<input type="checkbox"/>	<input type="checkbox"/>	<input type="checkbox"/>	<input type="checkbox"/>	Ignition
Parking Light (Default)	<input type="checkbox"/>	<input type="checkbox"/>	<input type="checkbox"/>	<input type="checkbox"/>	Accessory (Default)

**CM7000/7200** Cut loop for A/T

**CM-900S/900AS**

**CM900AS/900S Jumper**

<input type="checkbox"/>	<input type="checkbox"/>	<input type="checkbox"/>
<input type="checkbox"/>	<input type="checkbox"/>	<input type="checkbox"/>
<input type="checkbox"/>	<input type="checkbox"/>	<input type="checkbox"/>

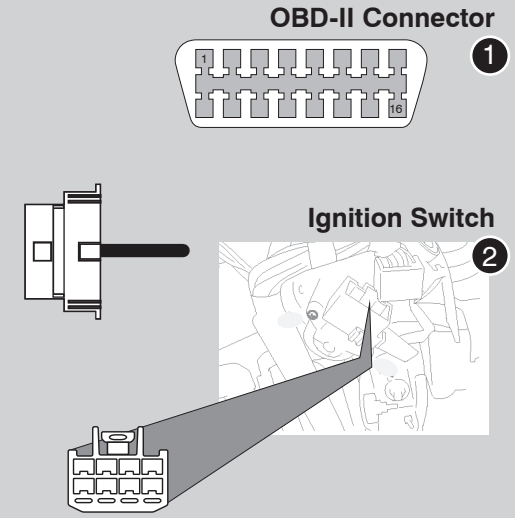
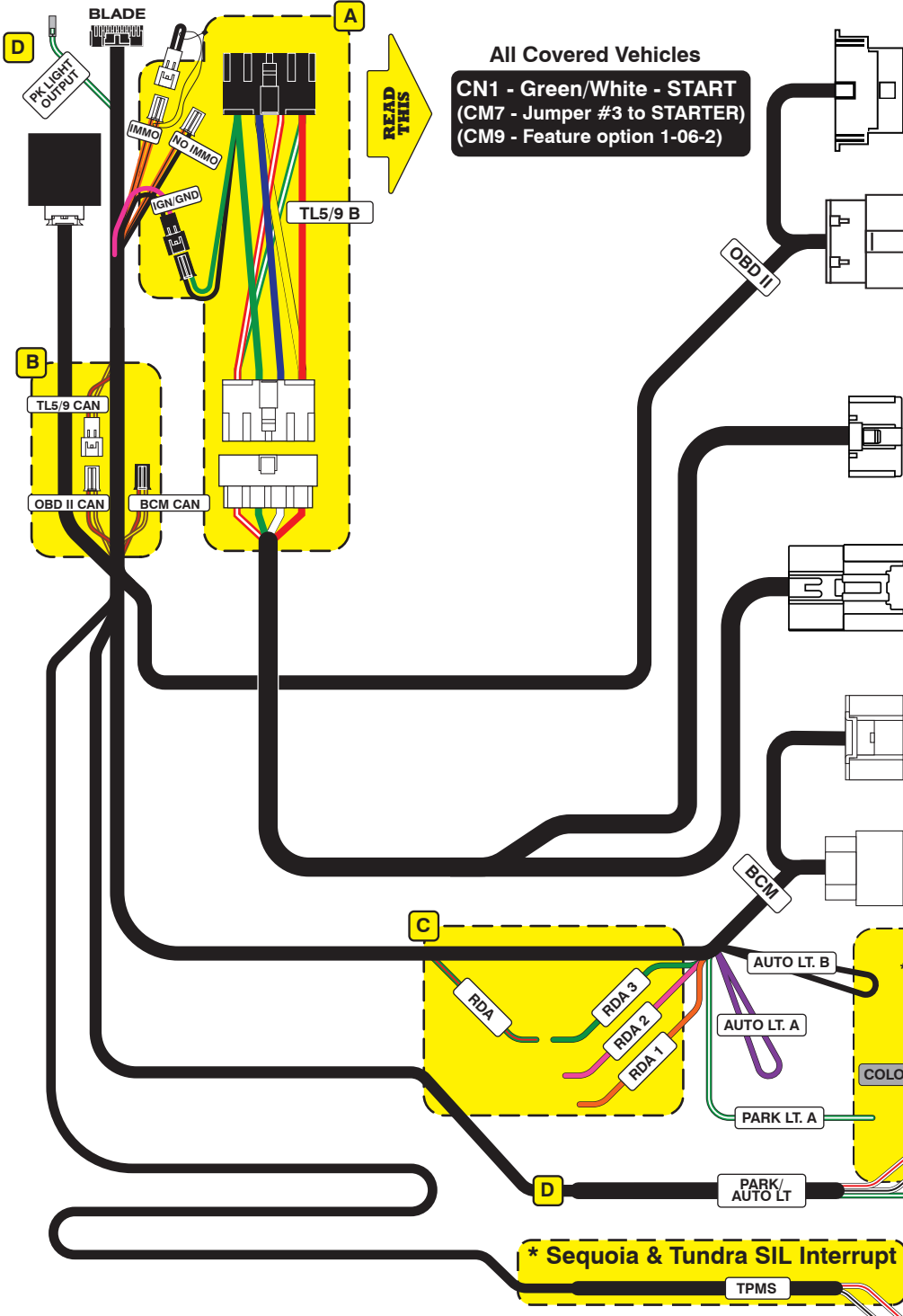
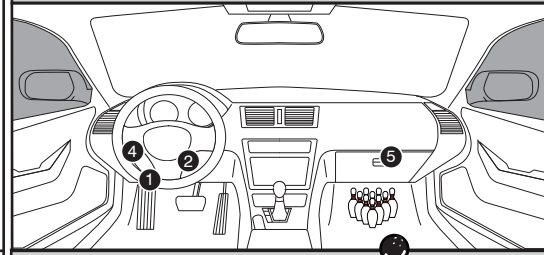
**START**  
**ACC**  
**IGN1**



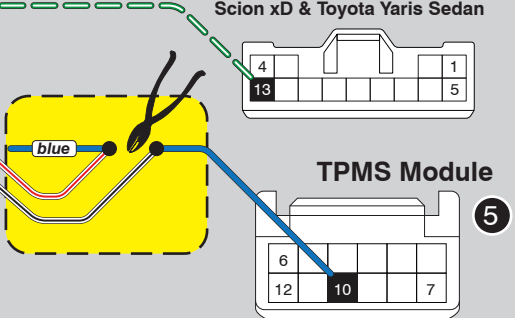
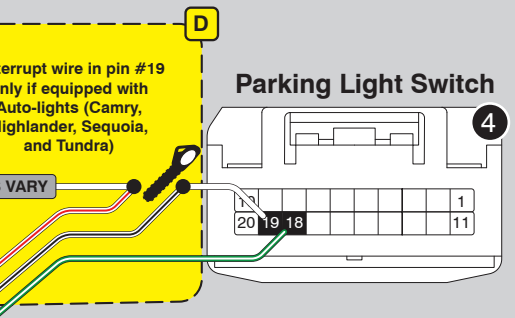
# FTI-TLK1 Type 2B2 - Installation Notes & Wiring Diagram

FIRSTECH, L.L.C.

- A** TL 5/9 B CN1 adapter required in this installation, any other adapter will result in malfunction and possible damage. Jumper connected to IMMO for vehicles equipped with immobilizer, if vehicle is not equipped, connect to NO IMMO before programming. IGN/GND connection required for operation.
- B** Type 2 installs require CAN jumper to be connected to the OBD-II source connector. Secure unused BCM connector for safety.
- C** Covered vehicles do not use an RDA configuration for door locks, make no connection to the harness **green/red** wire, insulate and secure the unused RDA, RDA 1, RDA 2, and RDA 3 connectors for safety.
- D** Insert pin terminated **green/white** into CM I/O connector, replace (-) pk light output. Connect harness **green/white** to wire in pin #18 of the 20-pin pk light connector (pin #13 of the 13-pin switch connector for the Scion xD & Toyota Yaris Sedan), if vehicle is equipped with auto-lights, interrupt wire in pin #19.



**30-PIN CONNECTOR NOT USED IN THIS INSTALL**



**Module Programming Procedure**  
 Step 1 - Activate IGN, LED will turn solid red  
 Step 2 - Wait for Solid blue LED  
 Step 3 - Programming complete

**LED Programming Error Codes**  
 Module LED flashing RED during programming

- 1x - CAN error, confirm harness configuration
- 2x - No IGN, confirm connections
- 3x - No IMMO, confirm equipment and connections
- 4x - Unknown VIN, manually assign
- 5x - No IGN on CAN, confirm connections