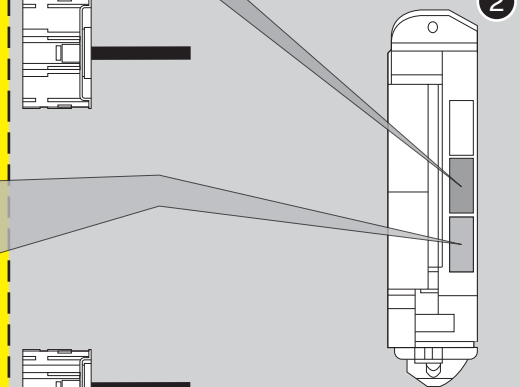


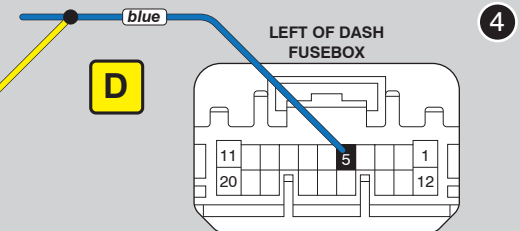
Steering Lock Connector



Main Body ECU



Junction Block



LED Programming Error Codes

Module LED flashing RED during programming

- 1x - CAN error, confirm harness configuration
- 2x - No IGN, confirm IGN power and harness configuration
- 3x - IMMO/CAN error, confirm harness configuration
- 4x - No VIN, module may default to base platform #2
- 5x - Unknown VIN, module may default to base platform #2
- 6x - OEM starter detected, cycle IGN, if issue persists, remove and reprogram

CARTRIDGE INSTALLATION



1 Slide cartridge into unit. Notice button under LED.

2

Ready for Module Programming Procedure.

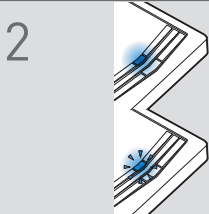
MODULE PROGRAMMING PROCEDURE

NOTE

I IMPORTANT: The hood must be closed.



1 Push start button twice [2x] to ON position.

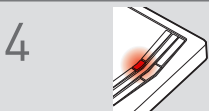


2 Wait, if LED turns solid BLUE for 2 seconds, proceed to step 7.

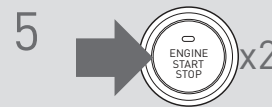
If LED flashes BLUE rapidly, proceed to step 3.



3 Push start button once [1x] to OFF position.



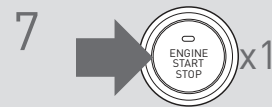
4 Wait, LED will turn solid RED. (This may take up to 5 minutes.)



5 Push start button twice [2x] to ON position.



6 Wait, LED will turn solid BLUE for 2 seconds.



7 Push start button once [1x] to OFF position.

8

Module Programming Procedure completed.