

FTI-TLK2: Vehicle Coverage and Preparation Notes

Make	Model	Year	Install	CAN	Lights	IMI/IMO	TPMS	I/O Changes
DL-TL10 Toyota	Corolla STD Key (H) MT	2020-22	Type 4 w/clutch	ECU	Park / Auto DATA	PKP 18-Pin	DKP (2) Lt.Blue	Green White/Blue START2

This install requires **BLADE-AL(DL)-TL10** firmware, flash module and update the controller before beginning the installation.

Install Type 4: CAN data at the ECU, parking lights via data, keysense and clutch bypass connections required.

IMI/IMO (immobilizer): Immobilizer is gathered using the 18-pin ECU adapter, no additional connections are required.

TPMS Ignition: The TPMS ignition wire, located in the driver's kick panel, must be interrupted if the 3X Lock control is required. If the feature is not required, and aftermarket remotes are being used, no connection is necessary.

Green/White: Configure parking light output for START2, connect to clutch switch output, located at the top of the clutch pedal.

Keysense & RAP: The TLK2 harness includes pre-terminated connections for Keysense and RAP circuits.
Keysense (brown/white) is required for manual transmission applications, insert CM I/O connector keysense position.
RAP (orange) connects to the driver door circuit, insert in any POC position and configure for RAP in the feature options.

Included ORG/BLK: The TLK2 kit includes an additional wire intended for SIL connections in TL9 applications, it is not required for this installation.

I/O Changes: Green/White (+ Parking Light Output), configure for START2

CM7: Move jumper 3 (Parking Lights) to Starter position

CMX: Configure HCP #1 (Default - Parking Lights) for 2ND START (feature option setting [2])

CM9: NOT COMPATIBLE WITH MANUAL TRANSMISSION VEHICLES



FTI-TLK2: Installation and Configuration Notes

- A CONNECTIONS REQUIRED**
- B CONNECTION REQUIRED**
- C CONNECTION REQUIRED**
- D OPTIONAL CONNECTION**
- E CONNECTION REQUIRED**

* available only when ignition is off
 ** if equipped with factory hood pin switch

FEATURE COVERAGE																						
IMMOBILIZER DATA	PRIORITY UNLOCK	ARM OEM ALARM	DISARM OEM ALARM	DOOR LOCK	DOOR UNLOCK	PARKING LIGHT CONTROL	POWER LIFTGATE	TRUNK/HATCH RELEASE*	DOOR STATUS	TRUNK STATUS	HOOD STATUS **	TACH OUTPUT	BRAKE STATUS	E-BRAKE STATUS	A/M ALARM CTRL FROM OEM REMOTE	A/M RS CONTROL FROM OEM REMOTE						



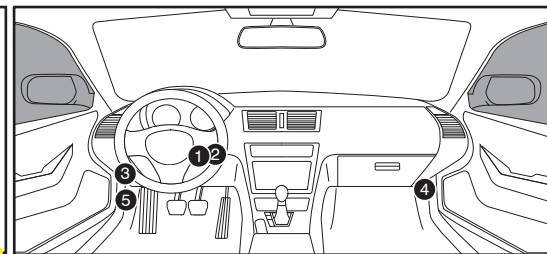
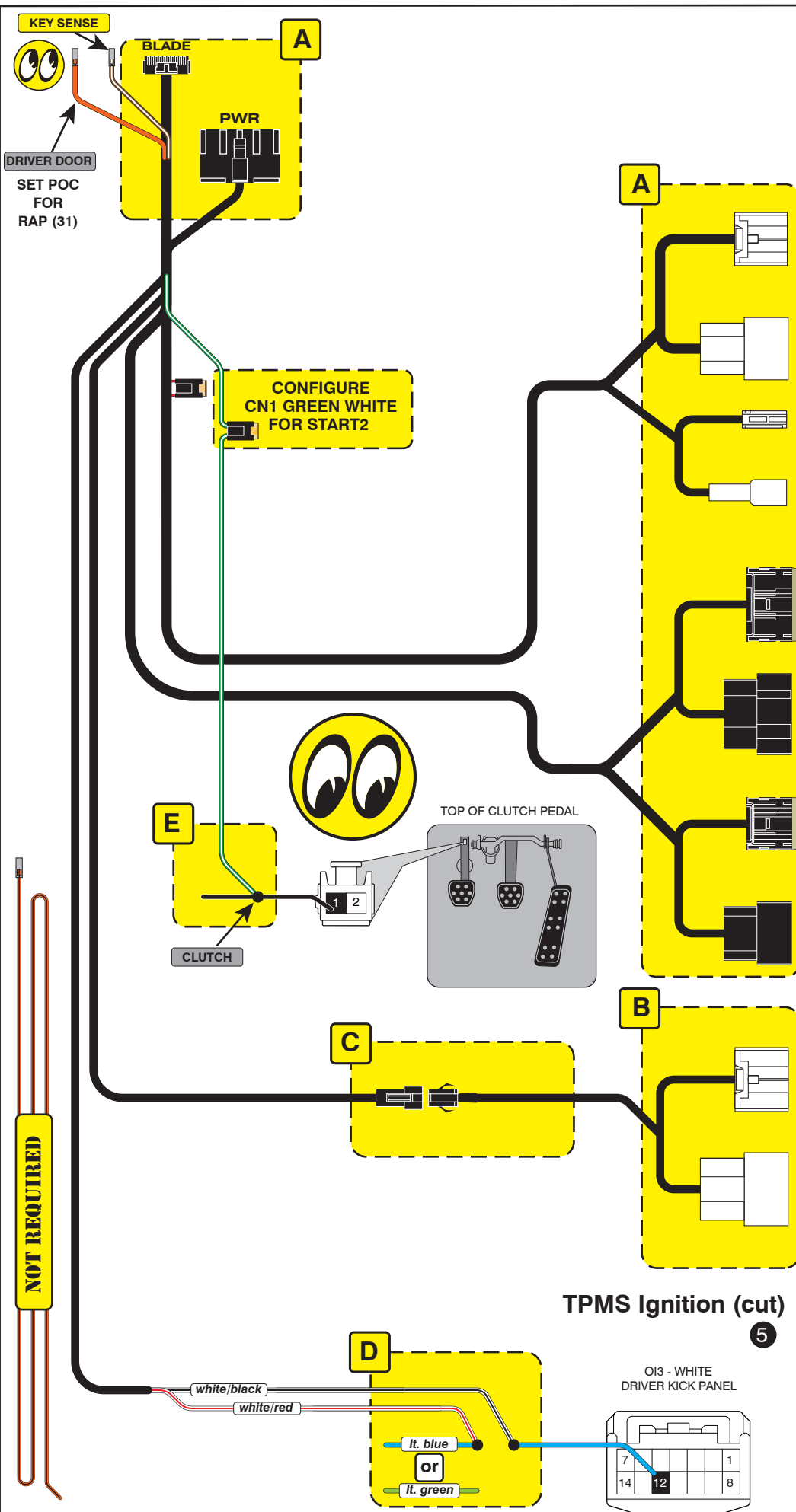
•FT-DAS Required for manual transmission.
 •BOTH Red & Red/White MUST be connected with high current application.

Jumper Setting

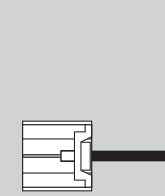
CM7000/7200 **Do not cut for M/T**

CMX High Current Programmable (+) Output Channels
 HCP #1 - Parking Light
 HCP #2 - Accessory
 HCP #3 - Ignition

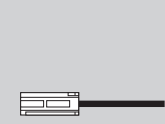
[2] 2ND START
 [3] 2ND IGNITION
 [4] 2ND ACCESSORY



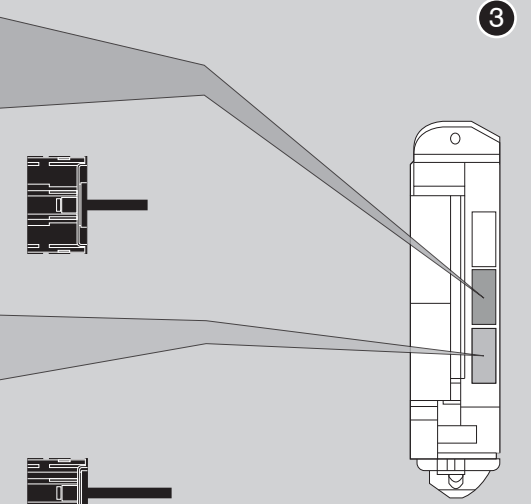
Ignition Connector 1



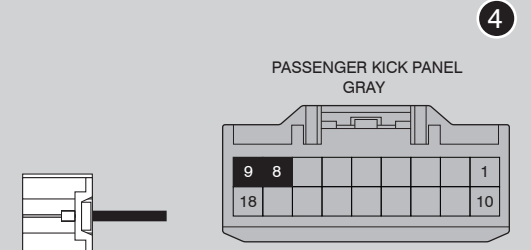
Keysense 2



Main Body ECU 3



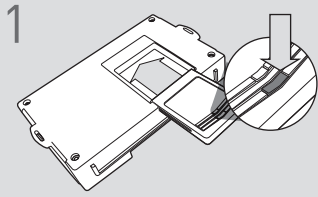
Junction Connector (IMI/IMO) 4



TL10 LED Programming Error Codes

- Module LED flashing RED during programming
- 1x - No CAN activity, check harness connections.
 - 2x - No analog Ignition, check harness connections.
 - 3x - VIN received but not in table, contact iDataLink.
 - 4x - No Immobilizer data (IMI), check adapter configuration.
 - 5x - No Immobilizer data (IMO), check adapter configuration.
 - 6x - Problem with Klon log, retry programming from step 1.
 - 7x - CryptKey doesn't match, reflash and redo Klon.

CARTRIDGE INSTALLATION



1 Slide cartridge into unit. Notice button under LED.

2

Ready for Module Programming Procedure.

MODULE PROGRAMMING PROCEDURE

NOTE

! IMPORTANT: The hood must be closed.

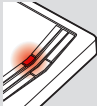
1 OFF ACC **ON** START

Set ignition to ON position.



2

Wait, LED will turn solid RED to confirm that the ignition is ON.



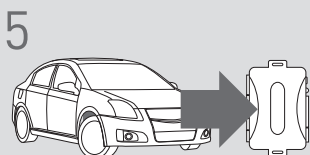
3

Wait, LED will flash BLUE rapidly.

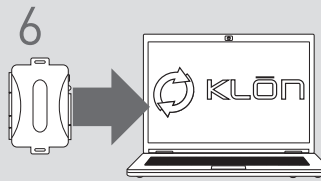


4 OFF ACC ON START

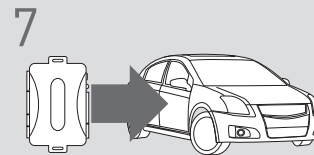
Set ignition to OFF position.



5 **WARNING:**
Disconnect power last.
Disconnect module from vehicle.



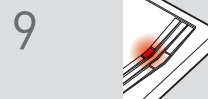
6 Connect module to computer and proceed with extended programming.



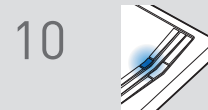
7 **WARNING:**
Connect power first.
Connect module to vehicle.

8 OFF ACC **ON** START

Set ignition to ON position.



9 Wait, LED will turn solid RED to confirm that the ignition is ON.



10 Wait, LED will turn solid BLUE for 2 seconds.

11 OFF ACC ON START

Set ignition to OFF position.



12

Module Programming Procedure completed.