

FTI-TLP1 Type 2A - Vehicle Coverage & Preparation Notes

| Make | Model | Year | Install | CAN | Lights | RAP | Trunk | I/O Changes |
|------------------------|------------------|---------|---------|--------|------------------------------|-----|----------------|------------------|
| DL-TL6 Lexus | ES350 PTS | 2013-15 | Type 2A | OBD-II | Park / Auto orange | | red (5) | Green White/Blue |
| Toyota | Camry PTS | 2012-17 | Type 2A | OBD-II | orange | | | |
| Toyota | Camry PTS Hybrid | 2012-17 | Type 2A | OBD-II | orange | | | |
| Toyota | Corolla PTS | 2014-16 | Type 2A | OBD-II | orange | | | |
| Toyota | Prius C PTS | 2012-15 | Type 2A | OBD-II | orange | | | |
| Toyota | RAV4 PTS | 2013-15 | Type 2A | OBD-II | orange | | | |

Notes:

Firmware: BLADE-AL(DL)-TL6, flash module and update starter before installation

Install: Type 2A vehicles require use of DL-TL6 firmware and connections marked TL6 (BLADE, Pk Light, and intermediate harness configuration connector), using any other connections labeled TL2 or TL7 will result in malfunction.

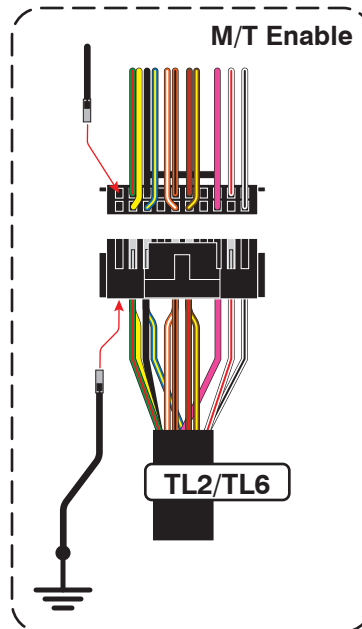
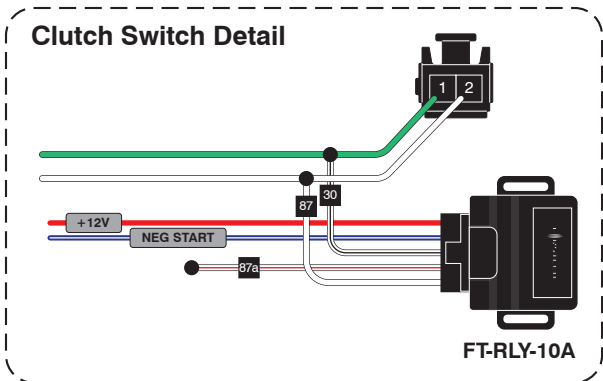
CAN: The TLP1 harness has multiple configuration options for sourcing vehicle CAN data, this install type requires connection to the CAN source labeled OBD. Do not use the connector labeled BCM.

Lights: Parking light and auto-light handling require connection of the **orange** wire, labeled TL2/TL6 PK LIGHT, to the controller output for status and diagnostic reporting.

PTS Button: Idle Mode, a feature which allows the user to exit a running vehicle and enable shutdown control and monitoring by the remote starter, requires a connection to the vehicle PTS button. If this feature is not desired, no connection is made.

ES350: Trunk release in the Lexus ES350 requires a direct connection to the 28-pin BECU connector, vehicle wire is **red**, pin #5. The ES350 also requires use of the harness lock connector to ensure proper synchronization.

M/T Corolla: 2014-16 Corolla equipped with a manual transmission requires additional wiring, not included in the harness assembly, to manipulate the clutch position switch. Switch wires at the clutch switch connector are **white & lt green**, and a successful start will require that they be momentarily connected together during the start session, as indicated in the detail below. Select any open POC and set the associated feature option to option #2 [2nd START]. **Manual Transmission** applications require the addition of an additional ground input to the BLADE connector, in order to enable reservation mode and reservation shutdown capability. The required modification is illustrated below, showing the addition of a ground wire in pin position #1 of the **TL2/TL6 BLADE** connector, *future kit revisions will include the necessary wire but for now, any spare pin/wire from similarly sized connector housings will suffice.*



• FT-DAS Required for manual transmission.
• BOTH Red & Red/White MUST be connected with high current application.

| Jumper Setting | | | |
|-------------------------|--------------------------|--------------------------|---------------------|
| Parking Light | <input type="checkbox"/> | <input type="checkbox"/> | (+)Door Trigger In |
| Accessory | <input type="checkbox"/> | <input type="checkbox"/> | (-)Door Trigger In |
| Ignition (Default) | <input type="checkbox"/> | <input type="checkbox"/> | (Default) |
| Trunk | <input type="checkbox"/> | <input type="checkbox"/> | Starter |
| Starter | <input type="checkbox"/> | <input type="checkbox"/> | Ignition |
| Parking Light (Default) | <input type="checkbox"/> | <input type="checkbox"/> | Accessory (Default) |

CM7000/7200 **Cut loop for A/T**

CM-900S/900AS

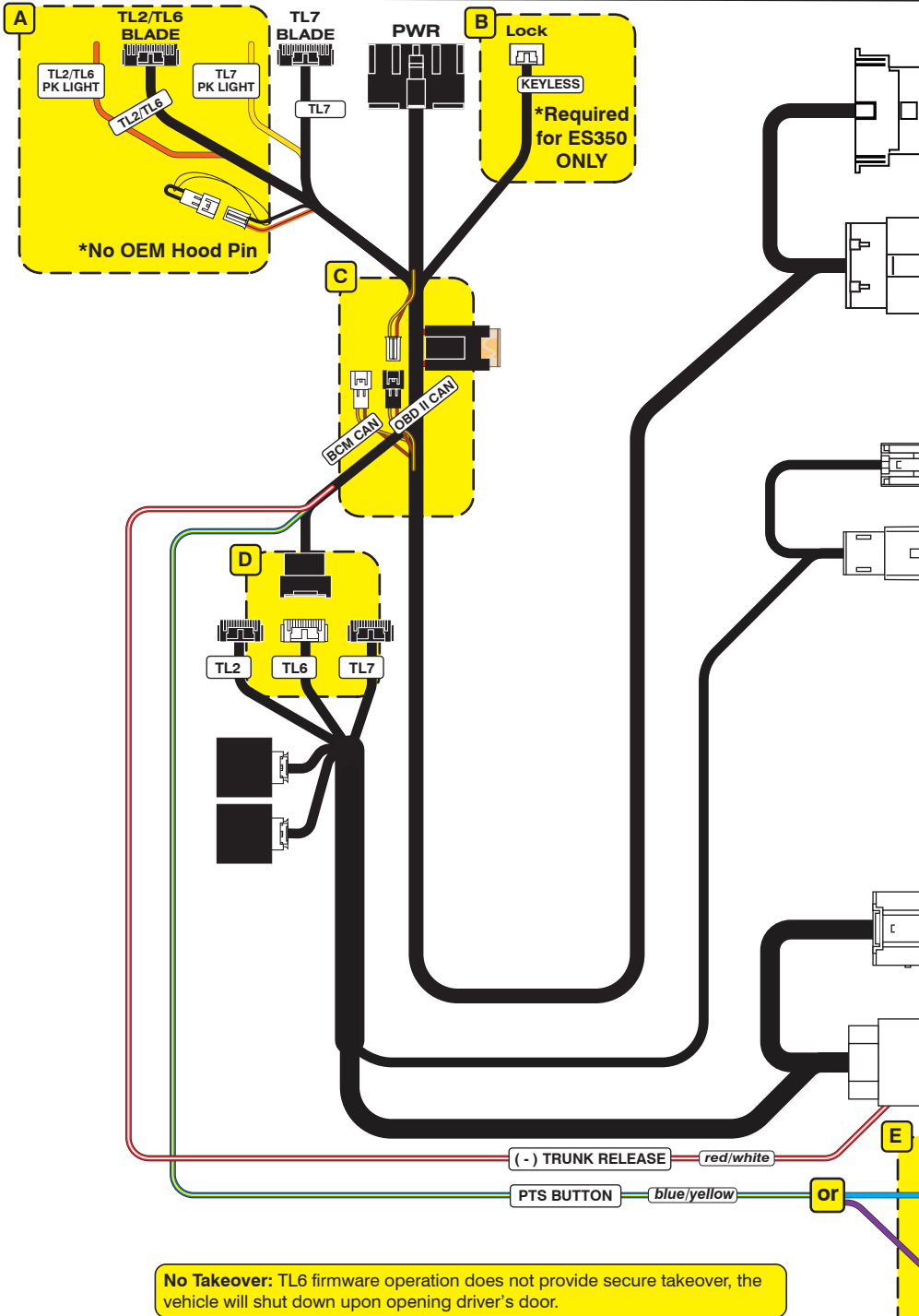
CM900AS/900S Jumper



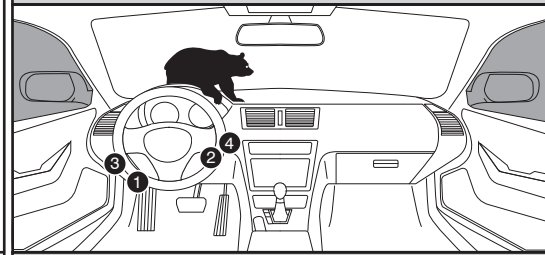
No Takeover: TL6 firmware operation does not provide secure takeover, the vehicle will shut down upon opening driver's door.

FTI-TLP1 Type 2A - Installation Notes & Wiring Diagram

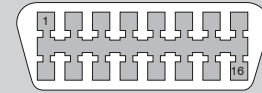
- A** Type 2A install requires using the BLADE and PK LIGHT connections marked TL2/TL6, secure unused connections. If vehicle is not equipped with a factory hood pin, connect jumper before programming.
- B** Type 2A installation does not require using the lock connector, except in the Lexus ES350, please ensure that the unused connector is secured for safety in all other vehicles.
- C** This install sources CAN data from the vehicle OBD-II connector, use the connector marked OBD and secure the unused BCM connector for safety.
- D** Type 2A install uses BLADE-AL(DL)-TL6 firmware and the intermediate configuration jumper marked TL6, using any other jumper will result in malfunction. Secure unused connectors for safety.
- E** PTS connection is required for IDLE MODE (allows user to exit running vehicle, enabling shutdown control and monitoring by the remote starter), connection is not required if this feature is not desired.



FIRSTECH, L.L.C.



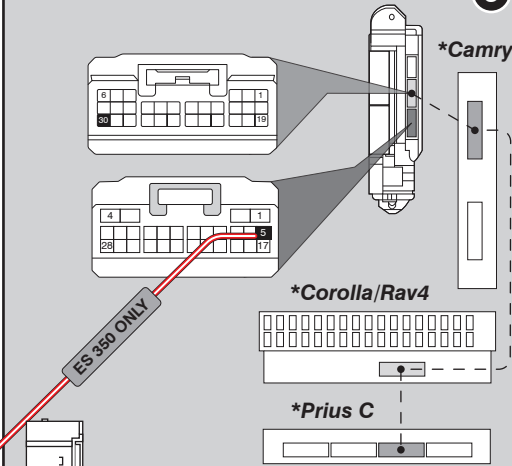
OBD-II Connector 1



Steering Lock Connector 2



Main Body ECU 3



PTS Button 4



Camry - violet
Corolla - black
Prius C - lt blue
Rav4 - dk green

Module Programming Procedure

- Step 1 - Close & open driver door
- Step 2 - Activate IGN, module LED goes red, then rapid blue flash
- Step 3 - Deactivate IGN
- Step 4 - Press unlock button on OEM keyfob
- Step 5 - Module LED goes solid blue, programming complete

LED Programming Error Codes

Module LED flashing RED during programming

- 1x - CAN error, confirm harness configuration
- 2x - VIN detection error, confirm harness configuration
- 3x - VIN unknown, contact support for assistance
- 4x - IMMO learn error, confirm guide matches install
- 5x - Vehicle equipped with OEM starter
- 6x - Wrong key platform or starter detected
- 7x - RX error, check connections
- 8x - TX error, check connections

FTI-TLP1 Type 2A

SUPPORT - 1(888) 820-3690, EXT. 203