

FTI-TLP1 Type 1s - Vehicle Coverage & Preparation Notes

Make	Model	Year	Install	CAN	Lights	RAP	Trunk	I/O Changes
DL-TL2					Park / Auto			Green White/Blue
Toyota	Sienna PTS	2018-19	Type 1	OBD-II	orange			

Notes:

Firmware: BLADE-AL(DL-TL2, flash module and update starter before installation

Install: Type 1 vehicles require use of DL-TL2 firmware and connections marked TL2 (BLADE, Pk Light, and intermediate harness configuration connector), using any other connections labeled TL6 or TL7 will result in malfunction.

CAN: The TLP1 harness has multiple configuration options for sourcing vehicle CAN data, this install type requires connection to the CAN source labeled BCM and the modification outlined in the attached bulletin. Do not use the connector labeled OBD.

Lights: Parking light control and auto-light handling require connection of the **orange** wire, labeled TL2/TL6 PK LIGHT, to the controller pk light output for status and diagnostic reporting.

PTS Button: Idle Mode, a feature which allows the user to exit a running vehicle and enable shutdown control and monitoring by the remote starter, requires a connection to the vehicle PTS button. If this feature is not desired, no connection is made.

No Takeover: TL2 operation does not provide secure takeover, the vehicle will shut down upon vehicle entry.



• FT-DAS Required for manual transmission.
• BOTH Red & Red/White MUST be connected with high current application.

Jumper Setting

Parking Light	<input type="checkbox"/>	<input type="checkbox"/>	<input type="checkbox"/>	(+)Door Trigger In
Accessory	<input type="checkbox"/>	<input type="checkbox"/>	<input type="checkbox"/>	(-)Door Trigger In (Default)
Ignition (Default)	<input type="checkbox"/>	<input type="checkbox"/>	<input type="checkbox"/>	
Trunk	<input type="checkbox"/>	<input type="checkbox"/>	<input type="checkbox"/>	Starter
Starter	<input type="checkbox"/>	<input type="checkbox"/>	<input type="checkbox"/>	Ignition
Parking Light (Default)	<input type="checkbox"/>	<input type="checkbox"/>	<input type="checkbox"/>	Accessory (Default)

CM7000/7200 **Cut loop for A/T**

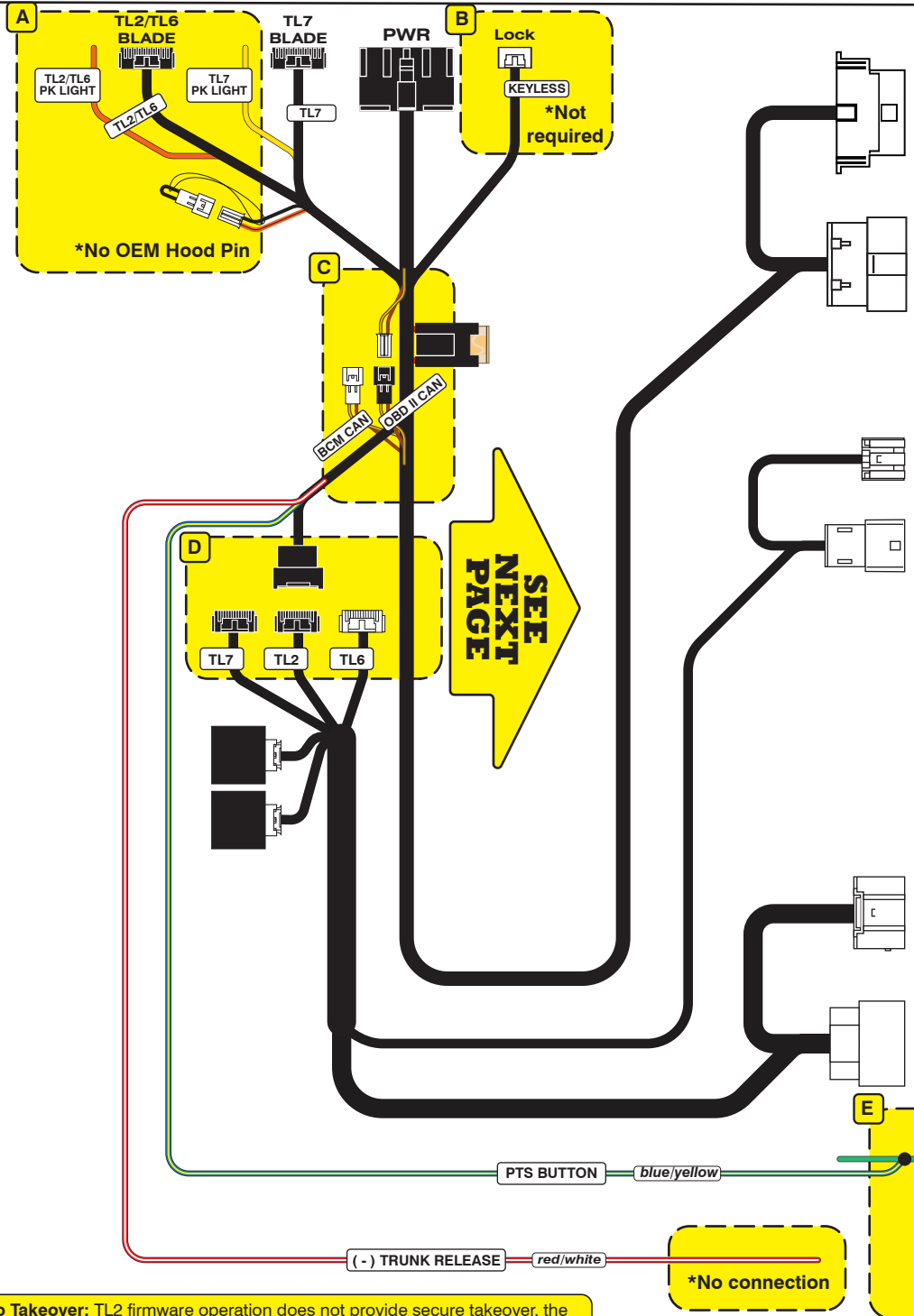
CM-900S/900AS

CM900AS/900S Jumper

START
ACC
IGN1

FTI-TLP1 Type 1s - Installation Notes & Wiring Diagram

- A** Type 1 install requires using the BLADE and PK LIGHT connections marked TL2/TL6, secure unused connections. If vehicle is not equipped with a factory hood pin, connect jumper before programming.
- B** Type 1 installation does not require using the lock connector, please ensure that the unused connector is secured for safety.
- C** This install sources CAN data from the vehicle BCM connector, but requires a modification to the CAN connections at the TL 2/6/7 Junction connectors. **See attached bulletin for necessary modifications.**
- D** Type 1 installation uses BLADE-AL(DL)-TL2 firmware and the intermediate configuration jumper marked TL2, using any other jumper will result in malfunction. **See attached bulletin.**
- E** PTS connection is required for IDLE MODE (allows user to exit running vehicle, enabling shutdown control and monitoring by the remote starter), connection is not required if this feature is not desired.



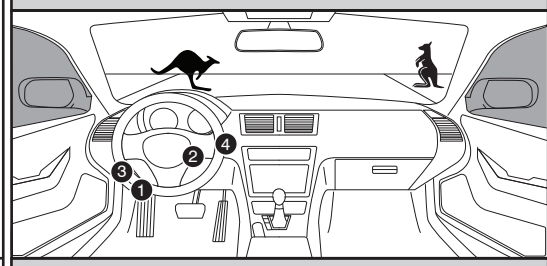
No Takeover: TL2 firmware operation does not provide secure takeover, the vehicle will shut down upon opening driver's door.

Module Programming Procedure

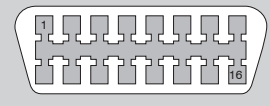
- Step 1 - Activate IGN, module LED should blink blue 1x
- Step 2 - Wait, module LED should go solid blue for 2 sec.
- Step 3 - Module programming complete

LED Programming Error Codes

- Module LED flashing RED during programming
- 1x - CAN error, confirm harness configuration
 - 2x - VIN detection error, confirm configuration and vehicle entry
 - 3x - VIN error, contact support
 - 4x - IMMO learn error, confirm harness configuration
 - 5x - OEM starter detected, see Toyota/Lexus starter locator in the support links section of compustar.idatalink.com
 - 6x - Key vehicle detected
 - 7x - RX error, confirm harness configuration
 - 8x - TX error, confirm harness configuration



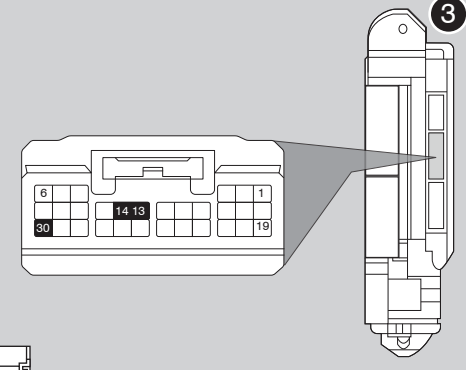
OBD-II Connector 1



Steering Lock Connector 2



Main Body ECU 3



PTS Button 4



Overview: The initial release of the FTI-TLP1 harness was produced without BCM CAN provisions for the TL2 vehicles. This issue affects the initial release and is already being addressed in production. A field correction procedure is detailed below in Figure 1.

Issue: The TL2 junction connector does not include CAN connections that extend to the vehicle BCM. BCM connections are required for the 2018-19 Toyota Sienna. BCM CAN connections are available in both the TL6 & TL7 junction connectors, either pair can be relocated to the TL2 junction connector for this installation.

Corrective steps:

- 1.) TL2 junction connector with no CAN provisions
- 2.) TL6 & TL7 junction connectors with CAN provisions in pin position 2 (CANH) & position 8 (CANL)
- 3.) Remove harness covering to expose the CAN pair that you wish to relocate
- 4.) Use a pick tool to depress the locking tab on the terminal connector of the brown/yellow & brown/red wires (CANL & CANH)
- 5.) Remove each wire separately, relocate each to the matching position in the TL2 connector then secure the pair to TL2 branch

Figure 1.

