

FTI-HDP8 Type 1 - Vehicle Coverage & Preparation Notes

Make	Model	Year	Install	CAN	Lights	RAP	Trunk	I/O Changes
DL-HA6					Park / Auto			Green White / Blue
Honda	CR-V PTS	2017-19	Type 1	OBD-II	gray/pink			
Honda	Civic PTS	2016-19	Type 1	OBD-II	gray/pink			
Honda	Odyssey PTS	2018-19	Type 1	OBD-II	white/pink			

Hey! Read this stuff before you start the installation...

Firmware:

Covered vehicles use **BLADE-AL(DL)-HA6**, flash module and update the controller firmware before installing.

Lights:

Parking light wire in the CR-V & Civic is **GRAY**, and in the Odyssey the wire is **WHITE**, at pin #11 of the BCM connector indicated, auto light control wire is **PINK** in all covered vehicles, at pin #10 of the BCM connector indicated.

Clutch:

Connection required for Civic equipped with manual transmission, the wire is yellow at pin #26 of the 28-pin BCM connector.

S-Net:

S-NET wire color for CR-V & Odyssey is **LIGHT GREEN**, S-NET wire color in the Civic is **RED**, located at pin #35 of the 40-pin BCM connector indicated.

Okay, now get to work...

• FT-DAS Required for manual transmission.
• BOTH Red & Red/White MUST be connected with high current application.

Jumper Setting

Parking Light	<input type="checkbox"/>	<input type="checkbox"/>	<input type="checkbox"/>	(+)Door Trigger In
Accessory	<input type="checkbox"/>	<input type="checkbox"/>	<input type="checkbox"/>	(-)Door Trigger In (Default)
Ignition (Default)	<input type="checkbox"/>	<input type="checkbox"/>	<input type="checkbox"/>	
Trunk	<input type="checkbox"/>	<input type="checkbox"/>	<input type="checkbox"/>	Starter
Starter	<input type="checkbox"/>	<input type="checkbox"/>	<input type="checkbox"/>	Ignition
Parking Light (Default)	<input type="checkbox"/>	<input type="checkbox"/>	<input type="checkbox"/>	Accessory (Default)

CM7000/7200 Cut loop for A/T

CM-900S/900AS

CM900AS/900S Jumper

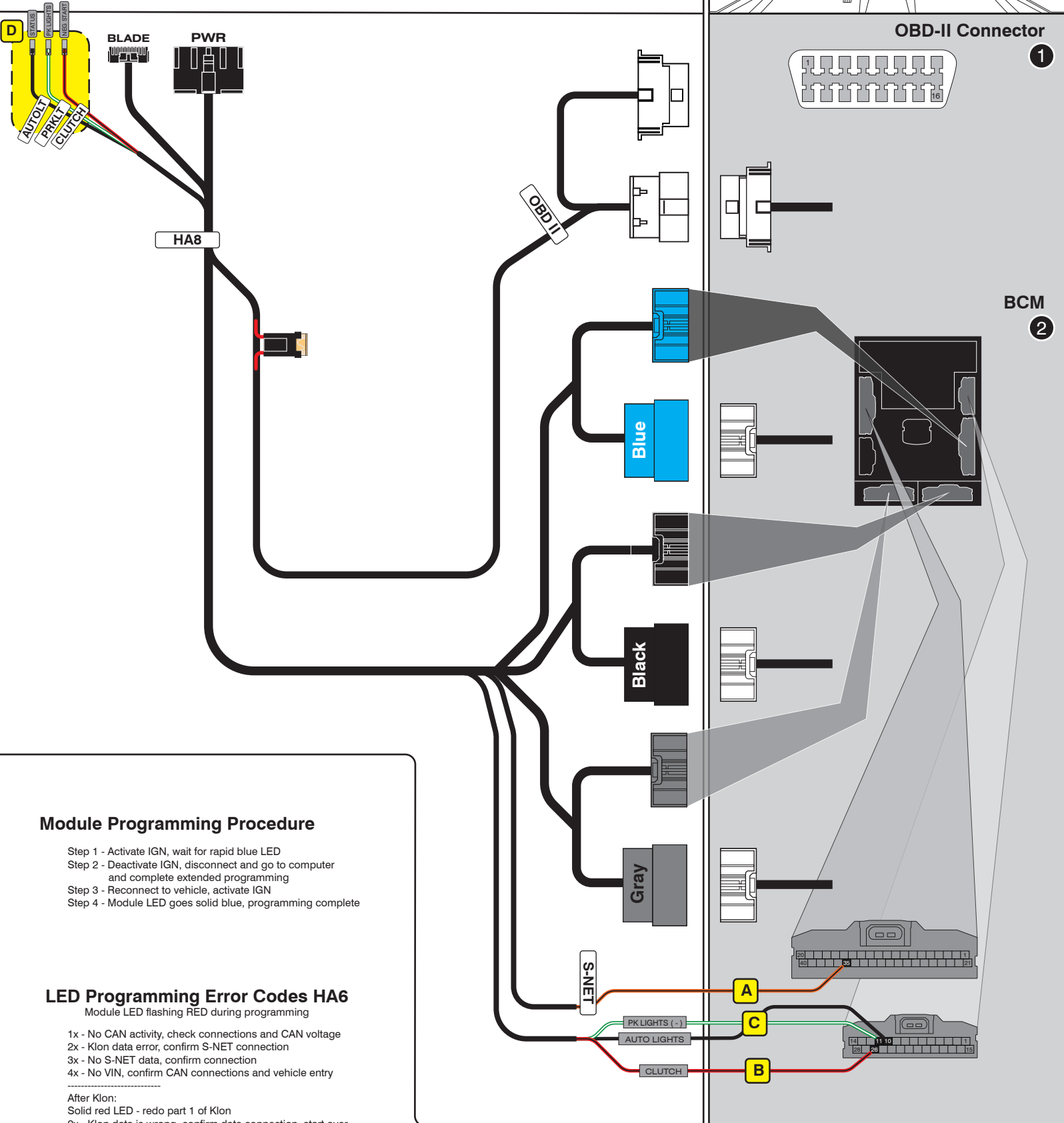
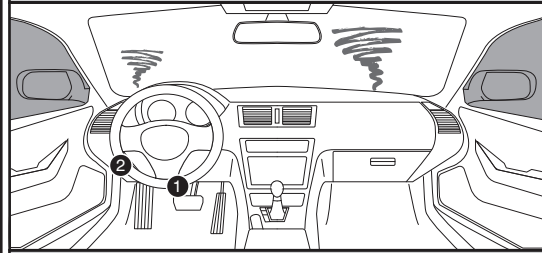
<input type="checkbox"/>	<input type="checkbox"/>	<input type="checkbox"/>	<input type="checkbox"/>
START	ACC	IGN1	



FTI-HDP8 Type 1 - Installation Notes & Wiring Diagram

FIRSTECH, L.L.C.

- A** S-NET wire color for CR-V & Odyssey is **light green**, S-NET wire color in the Civic is **red**, located at pin #53 of the BCM connector indicated.
- B** Connection required for Civic equipped with manual transmission, *yeah, yeah*, we all wish that the Odyssey was available with a 6 speed manual, but nope... anyway, the Civic wire is yellow at pin #28 of the BCM connector illustrated.
- C** Parking light wire in the CR-V & Civic is **gray**, in the Odyssey the wire is **white**, at pin #11 of the BCM connector indicated, auto light control wire is **pink** in all covered vehicles, at pin #10 of the BCM connector indicated.
- D** Status, (-) park lights, and (-) start are pin terminated for ease of placement in the CM I/O connector, Simply remove the existing output wires and insert.



Module Programming Procedure

- Step 1 - Activate IGN, wait for rapid blue LED
- Step 2 - Deactivate IGN, disconnect and go to computer and complete extended programming
- Step 3 - Reconnect to vehicle, activate IGN
- Step 4 - Module LED goes solid blue, programming complete

LED Programming Error Codes HA6

Module LED flashing RED during programming

- 1x - No CAN activity, check connections and CAN voltage
- 2x - Klon data error, confirm S-NET connection
- 3x - No S-NET data, confirm connection
- 4x - No VIN, confirm CAN connections and vehicle entry

After Klon:

- Solid red LED - redo part 1 of Klon
- 2x - Klon data is wrong, confirm data connection, start over

FTI-HDP8 Type 1

SUPPORT - 1(888) 820-3690, EXT. 203