

FTI-FDK1 Type 3F - Vehicle Coverage & Preparation Notes

Make	Model	Year	Install	CAN	Lights	Feature	Trunk	I/O Changes
DL-FM4					Park / Auto			Green White/Blue
Ford	Transit Connect STD Key	2014-18	Type 3F	OBD-II	1/26 (42)		Brn 49(60) Brn 49(60)	

Hey! Read this stuff before you start the installation...

Covered vehicles use **BLADE-AL(DL)-FM4**, flash module and update the controller firmware. Additionally... This firmware requires that all the doors be closed during programming. If you call support indicating that the module is flashing 3x red and not programming, you're going to be asked to read step #1 of the programming instructions. Don't feel bad, you're not the first one to make this mistake, and you probably won't be the last, but it does make our day. :)

CAN: FM4 CAN data is sourced from the vehicle OBD-II connector

Lights: FDK1 harness provides two +12V parking light outputs, connect to BCM connector C-2280A, positions 1 & 26 (**yellow/blue** & **brown/yellow**)

RAP: Retained accessory power shutdown requires connecting to the **green/violet** driver's door pin wire, available at BCM connector C-2280B or in the harness in the driver kick panel

Door locks: Door lock operation should be tested to confirm that the door locks remain functional after BCM enters sleep mode. If BCM sleep affects door locks then configure unlock before start & relock after start (feature option 1-01, setting 2)

Lock: **gray/yellow**, pin #36, 60-pin BCM connector (**C2280B, brown**)

Unlock: **violet/gray**, pin #26, 60-pin BCM connector (**C2280C, blue**)

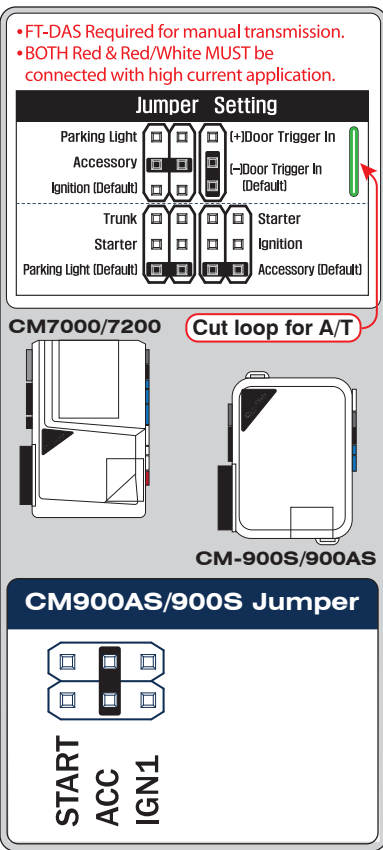
Driver's Unlock: **green/violet**, pin #55, 60-pin BCM connector (**C2280B, brown**), connect only if present, diode isolate as illustrated in note [E].

Okay, now get to work...

Hold on, there's one more thing... The connections that have been listed at the BCM are also available on the driver's side of the vehicle. Making connections at the BCM is not the only way to complete the installation, so feel free to access the necessary circuits in the place that is most convenient for you .

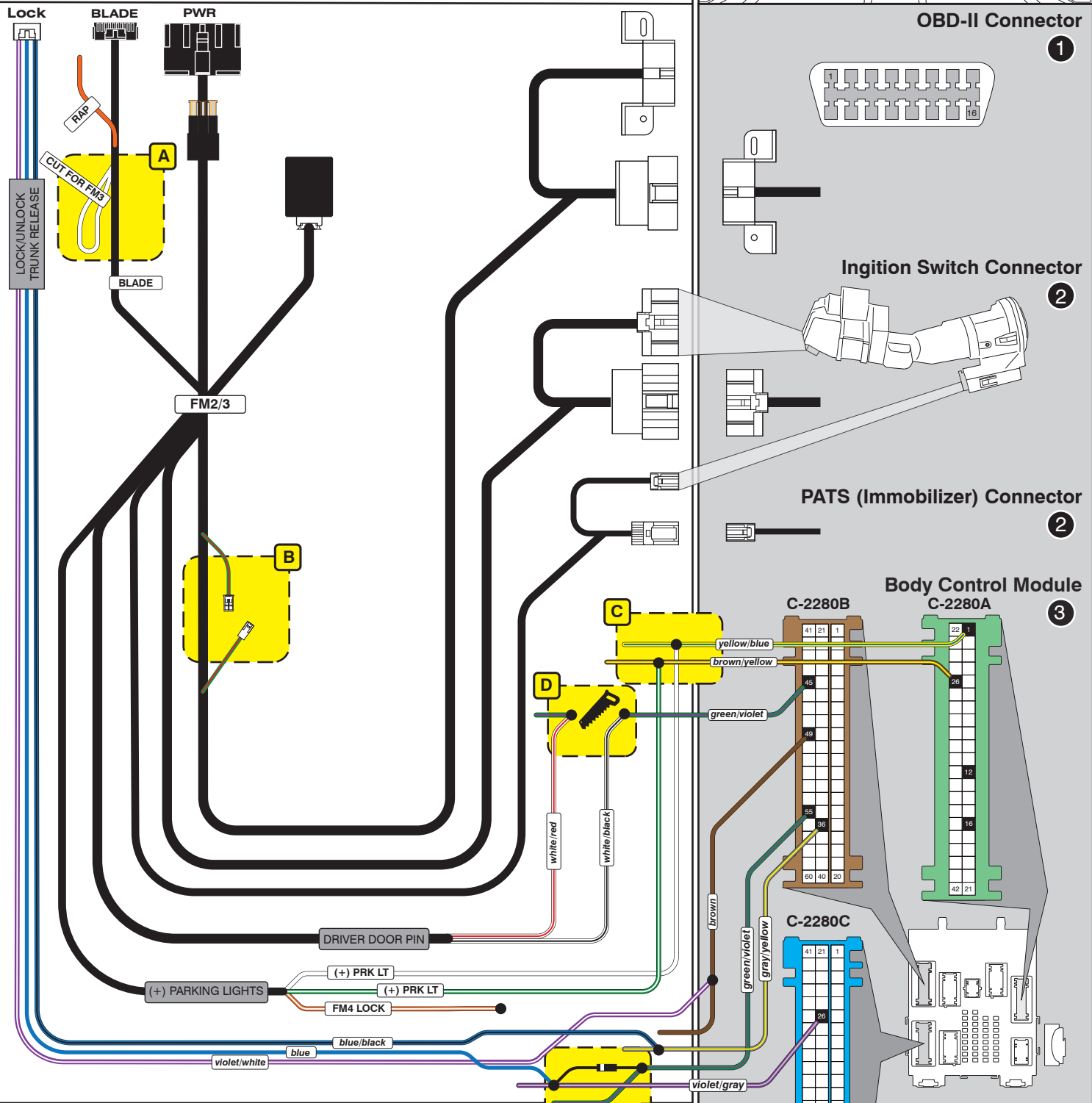
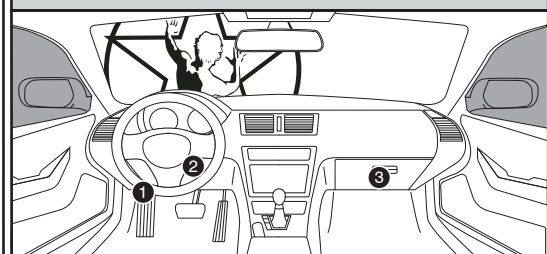
Component Locations

- RSC = Right side of steering column
- LSC = Left side of steering column
- DKP = Driver kick panel
- ADKP = Above driver kick panel
- BIC = Behind instrument cluster
- BGB = Behind glove box
- NAP = Near A-pillar



FTI-FDK1 Type 3F - Installation Notes & Wiring Diagram

- A** The FDK1 harness includes a loop that is required when using DL-FM3 firmware, DO NOT CUT the loop for this installation type
- B** Jumper for vehicles that are not equipped with immobilizer, do not connect unless vehicle is confirmed not equipped. If vehicle is not equipped, connect before programming to skip immobilizer learn.
- C** The FDK1 harness includes dual positive 12V parking light provisions. Connect as illustrated.
- D** Driver's door pin connection, **green/violet** wire at pin position 45 in the brown connector (C-2280B) of the BCM, or the driver kick panel harness.
- E** Driver's Unlock wire (if present) **green/violet** in 60-pin BCM connector (C2280B, brown), connect as illustrated using a 1A (1N4001) diode.



Module Programming

- Step 1 - Close all doors
- Step 2 - Activate IGN, module LED will go solid RED
- Step 3 - Wait for module LED to flash rapid BLUE
- Step 4 - Remove key and return to computer for KLON
- Step 5 - Reconnect to vehicle, activate IGN, LED - RED
- Step 6 - Wait for module LED to go solid BLUE
- Step 7 - Programming complete

LED Programming Error Codes

- Module LED flashing RED during programming
- 1x - CAN error, confirm harness configuration
 - 2x - VIN error, confirm harness configuration
 - 3x - Read 'Module Programming Step 1'
 - 4x - RX/TX/Key error, check key and harness connections
 - 5x - 40bit Transponder detected... should never happen, contact support
 - 6x+ - KLON failure, start over or contact support

FTI-FDK1 Type 3F

SUPPORT - 1(888) 820-3690, EXT. 203